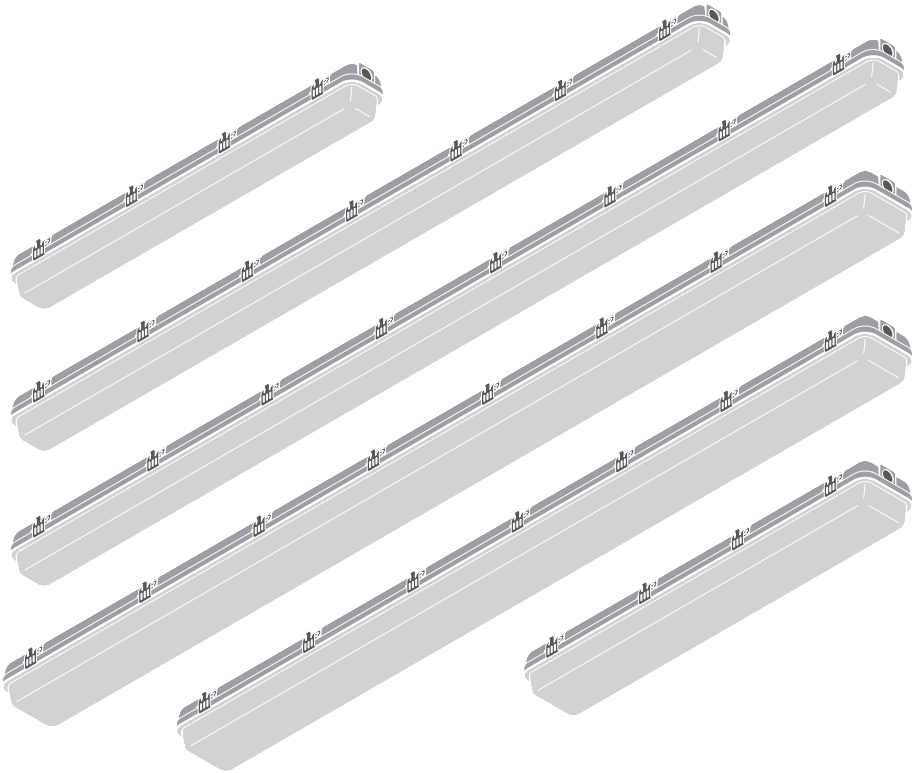
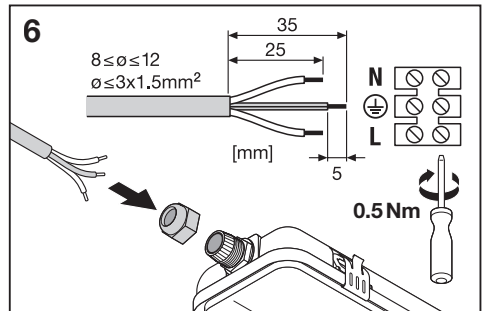
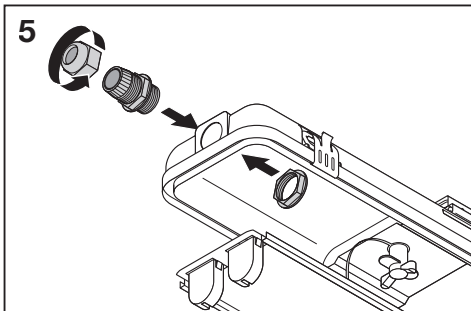
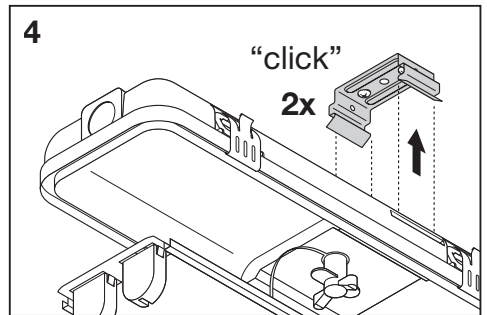
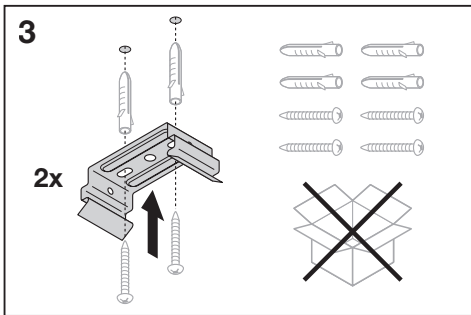
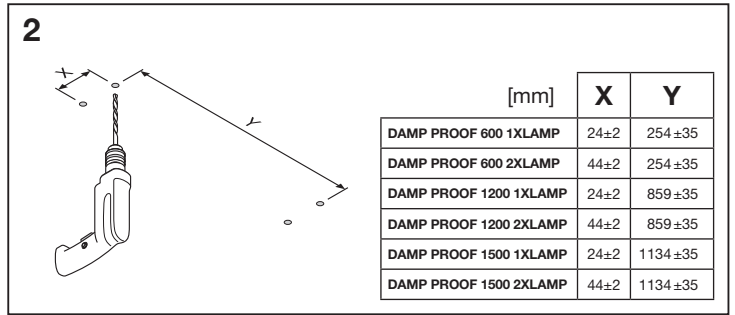
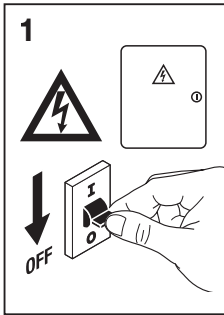
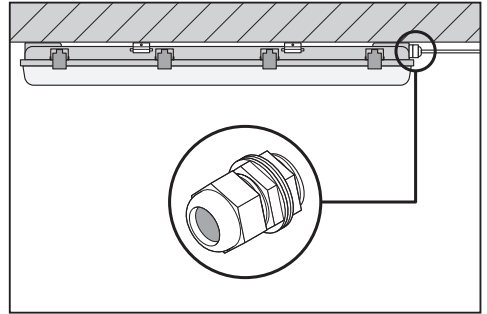
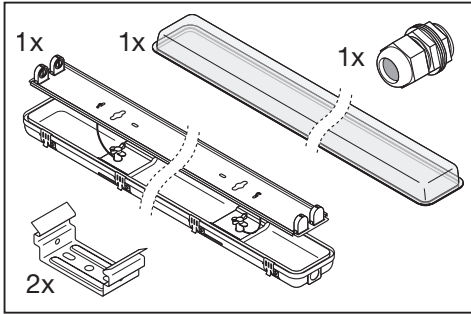

DAMPPROOF HOUSING



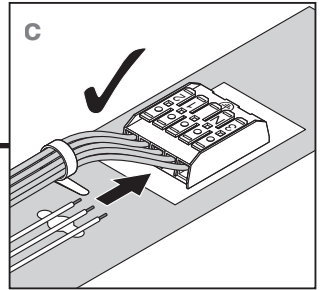
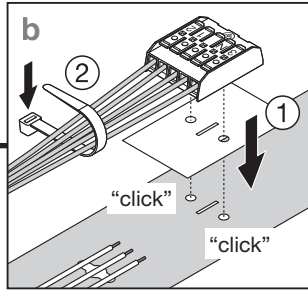
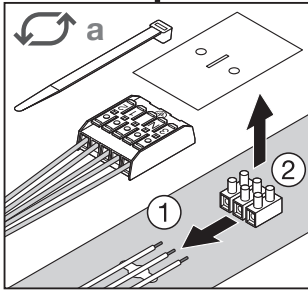
	EAN	l x w x h [mm]	IP	IK	°C	⚙️
DAMP PROOF 600 1XLAMP HOUSING IP65	4058075312395	651 x 64 x 75	65	08	-30...+45	0.56 kg
DAMP PROOF 600 2XLAMP HOUSING IP65	4058075312418	651 x 103 x 75	65	08	-30...+45	0.77 kg
DAMP PROOF 1200 1XLAMP HOUSING IP65	4058075312432	1261 x 64 x 75	65	08	-30...+45	0.90 kg
DAMP PROOF 1200 2XLAMP HOUSING IP65	4058075312456	1261 x 103 x 75	65	08	-30...+45	1.36 kg
DAMP PROOF 1500 1XLAMP HOUSING IP65	4058075312470	1561 x 64 x 75	65	08	-30...+45	1.21 kg
DAMP PROOF 1500 2XLAMP HOUSING IP65	4058075312494	1561 x 103 x 75	65	08	-30...+45	1.64 kg



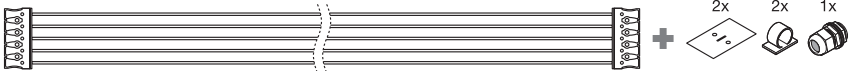
DP 1200 1XLAMP HOUSING TH-KIT / EAN 4058075695078



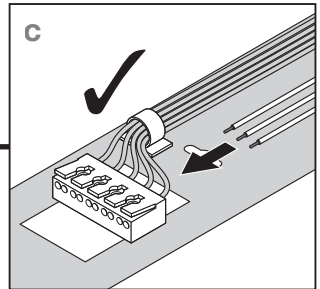
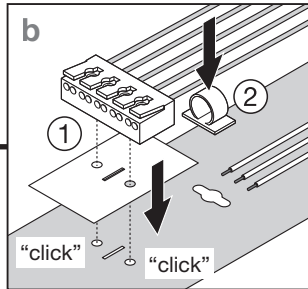
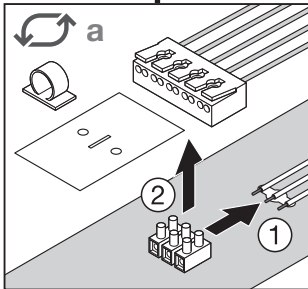
DP 1500 1XLAMP HOUSING TH-KIT / EAN 4058075695092



DP 1200 2XLAMP HOUSING TH-KIT / EAN 4058075695115



DP 1500 2XLAMP HOUSING TH-KIT / EAN 4058075695139

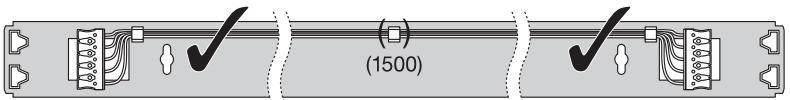


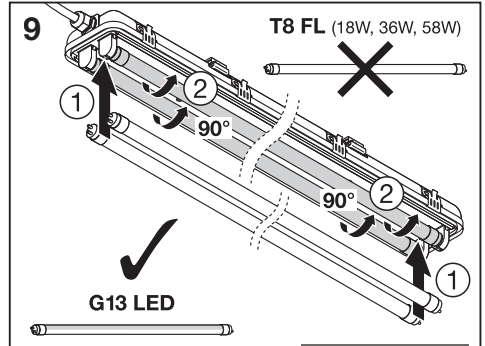
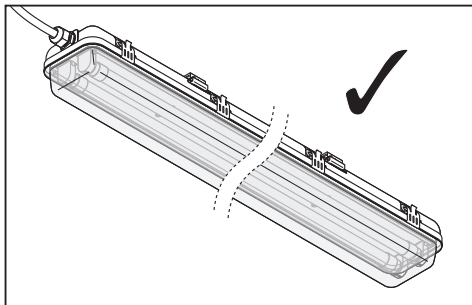
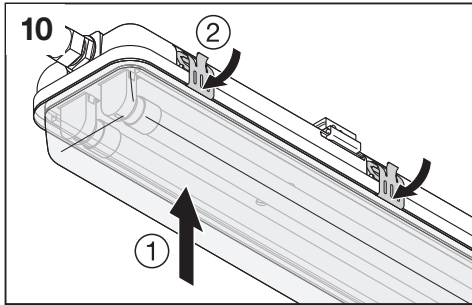
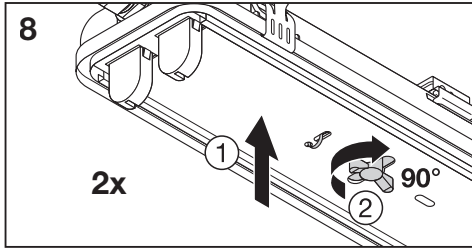
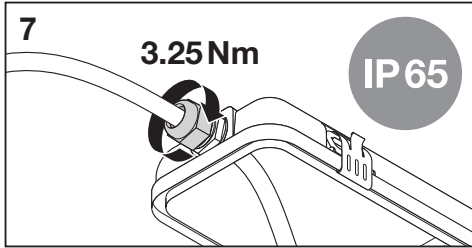
1XLAMP



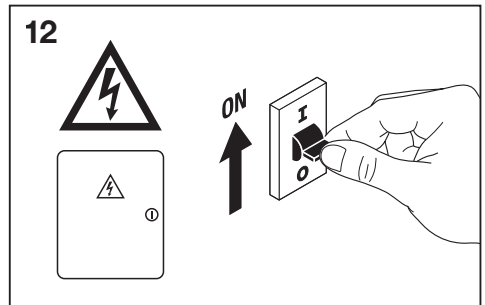
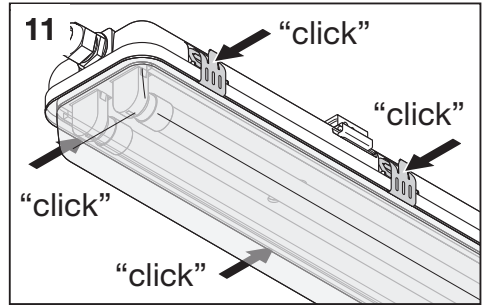
$8 \leq \phi \leq 12$
 $\phi \leq 5 \times 2.5 \text{mm}^2$

2XLAMP





	220-240 V / 50/60 Hz
DAMP PROOF 600 1XLAMP HOUSING IP65	1x G13 LED-Tube (0.6m)
DAMP PROOF 600 2XLAMP HOUSING IP65	2x G13 LED-Tube (0.6m)
DAMP PROOF 1200 1XLAMP HOUSING IP65	1x G13 LED-Tube (1.2m)
DAMP PROOF 1200 2XLAMP HOUSING IP65	2x G13 LED-Tube (1.2m)
DAMP PROOF 1500 1XLAMP HOUSING IP65	1x G13 LED-Tube (1.5m)
DAMP PROOF 1500 2XLAMP HOUSING IP65	2x G13 LED-Tube (1.5m)



FR

Cet appareil et ses accessoires se recyclent

À DÉPOSER EN MAGASIN

À DÉPOSER EN DÉCHÈTERIE

OU

Points de collecte sur www.quefairedemesdechets.fr



LEDVANCE GmbH
Steinerne Furt 62
86167 Augsburg, Germany
www.ledvance.com

C10449057
G11146986
11.07.22

© LEDVANCE Ltd, Aquila House
Delta Crescent, Westbrook, Warrington
WA5 7NR, United Kingdom