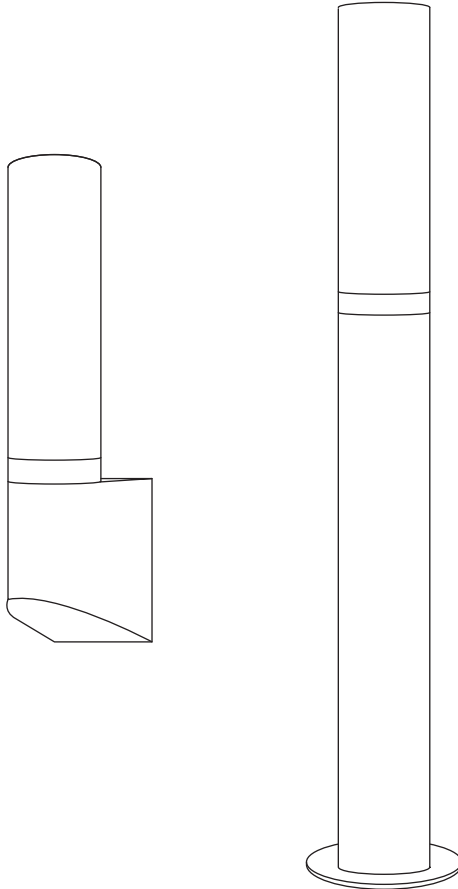


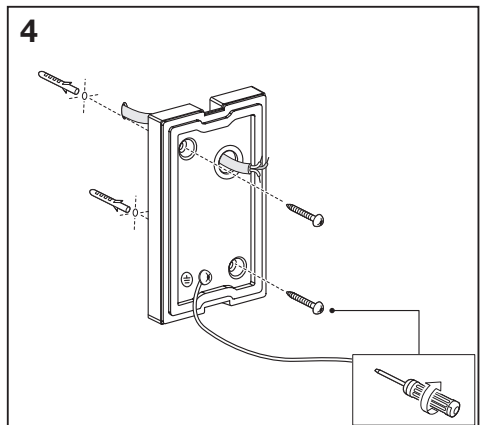
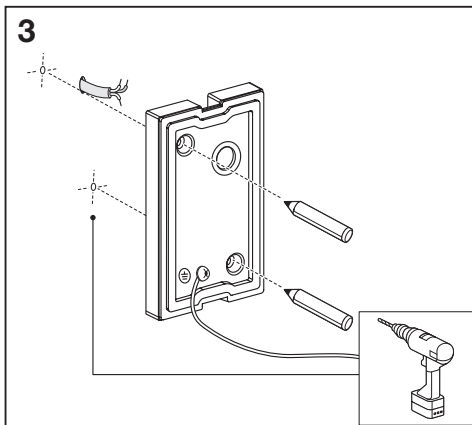
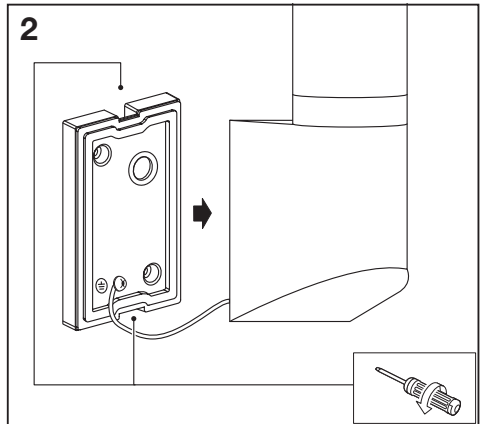
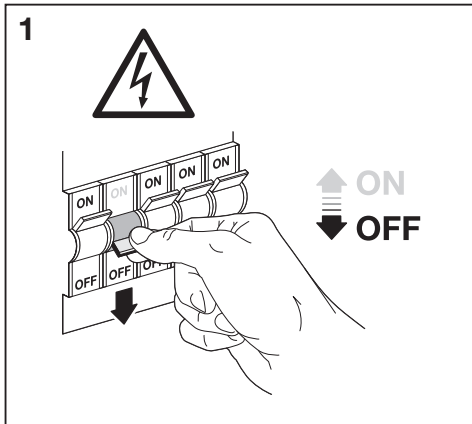
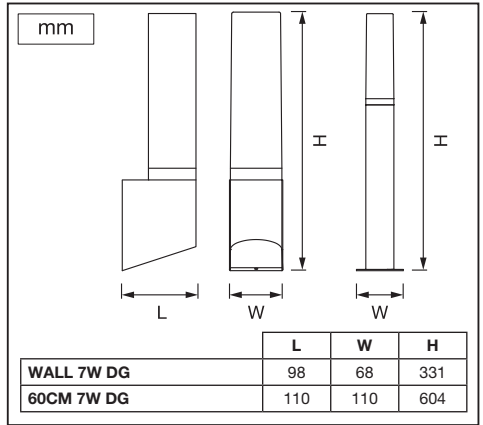
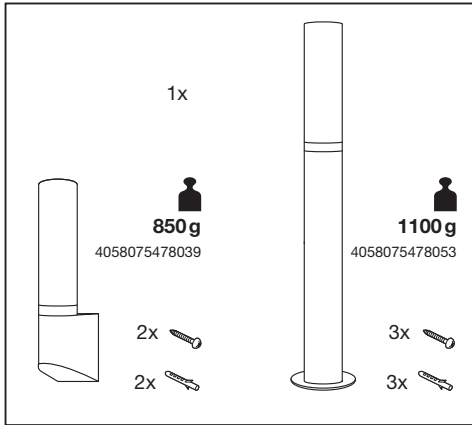
---

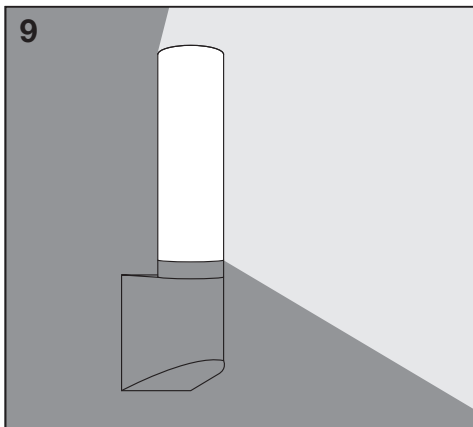
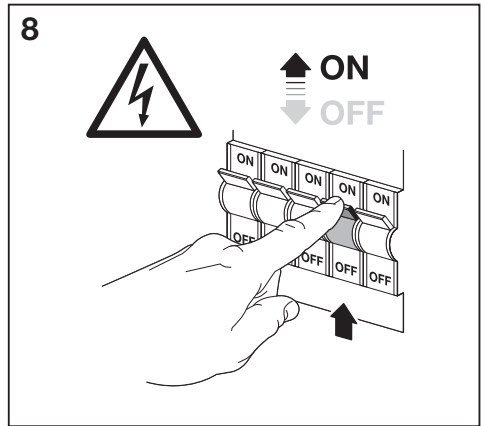
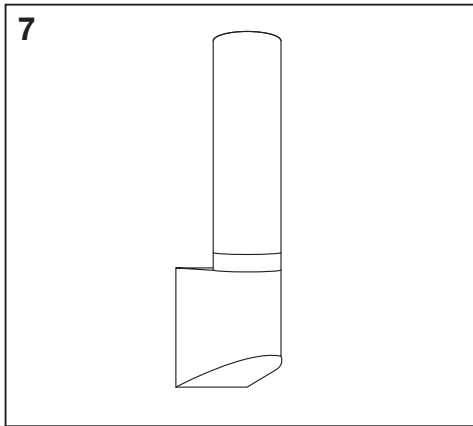
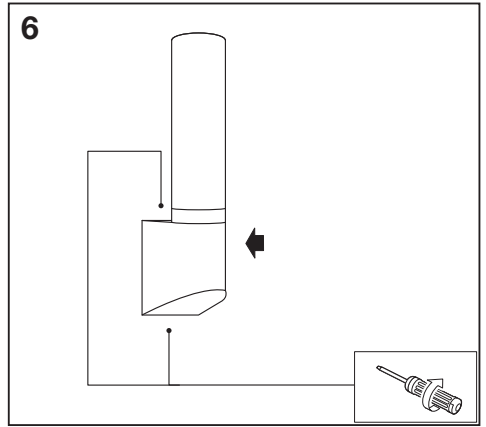
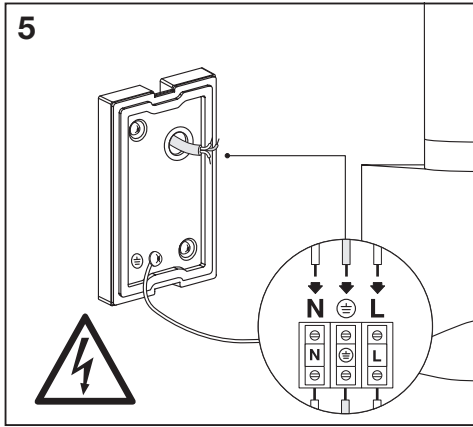
**ENDURA® STYLE**




---



	EAN	W	lm	K	°C	V~	mA	Hz	PF
ENDURA STYLE LANTERNFLAREWALL 7WDG	4058075478039	7	500	3000	-20...+40	220-240	55	50/60	>0.5
ENDURA STYLE LANTERNFLARE60CM 7WDG	4058075478053	7	500	3000	-20...+40	220-240	55	50/60	>0.5





	EAN	This product contains a light source of energy efficiency class	Contained Light Source
ENDURA STYLE LANTERNFLAREWALL 7WDG	4058075478039	E	
ENDURA STYLE LANTERNFLARE60CM 7WDG	4058075478053	E	



C10449057  
G11128788  
04.10.2021



LEDVANCE GmbH  
Steinerne Furt 62  
86167 Augsburg, Germany  
[www.ledvance.com](http://www.ledvance.com)