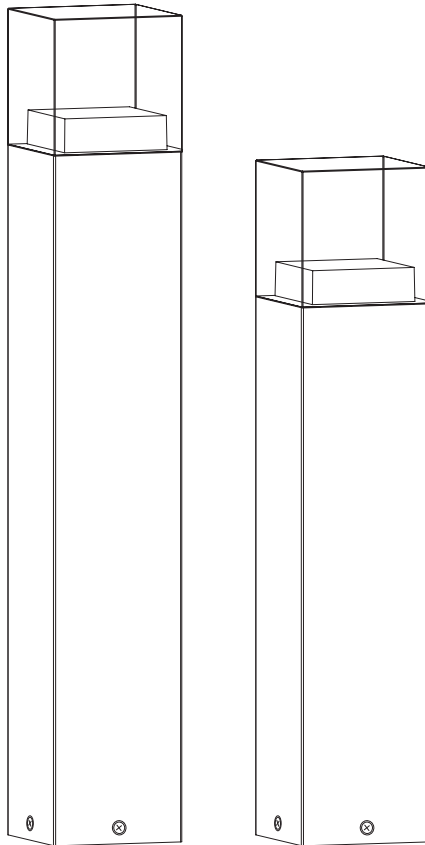
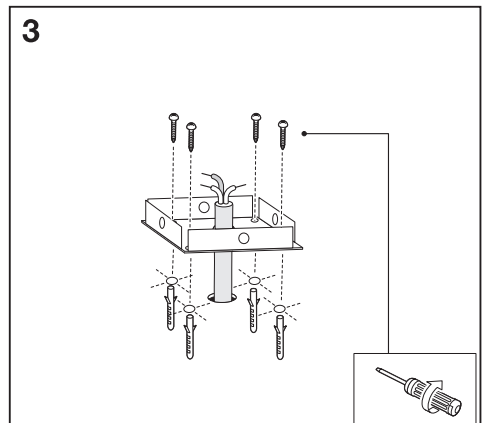
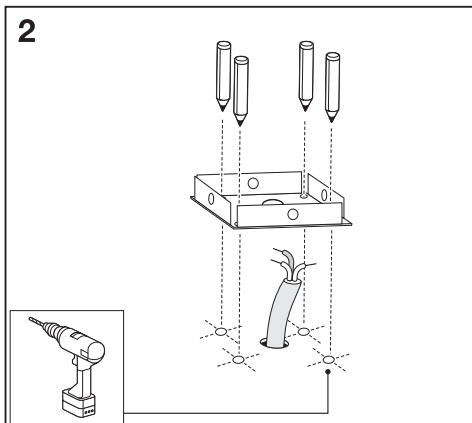
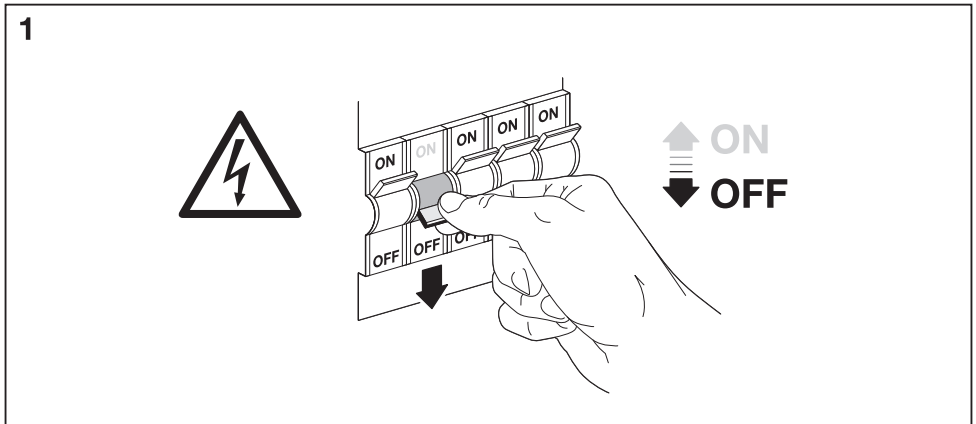
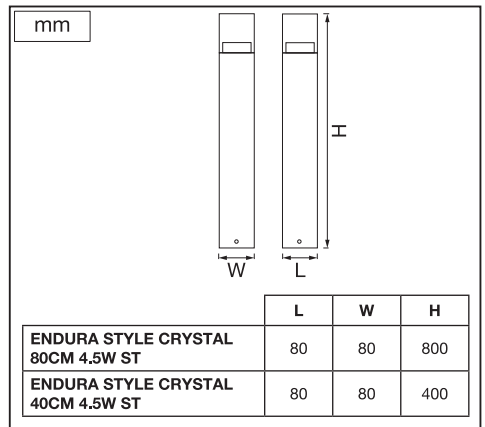
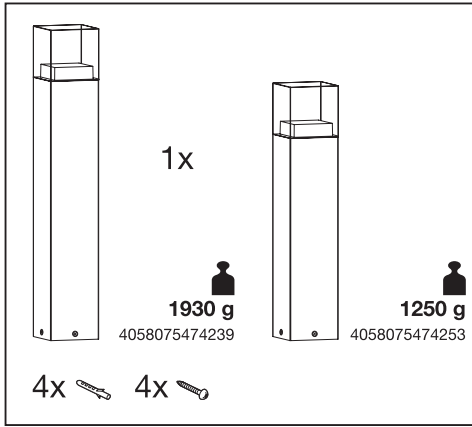
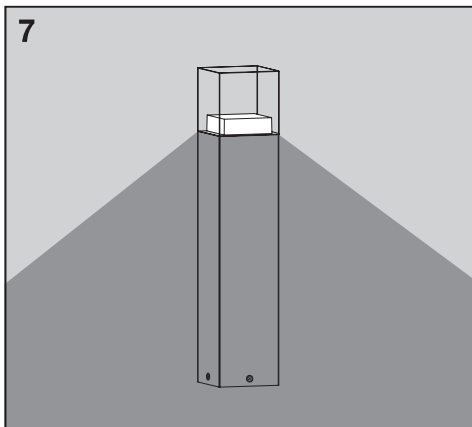
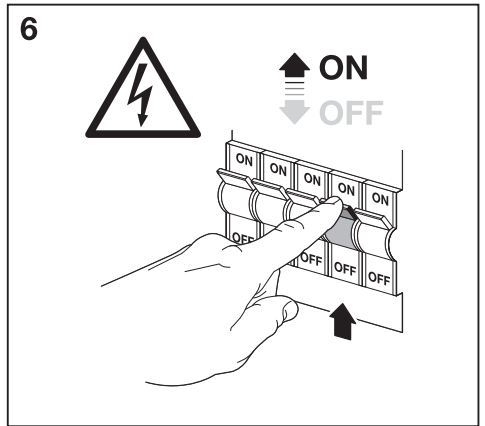
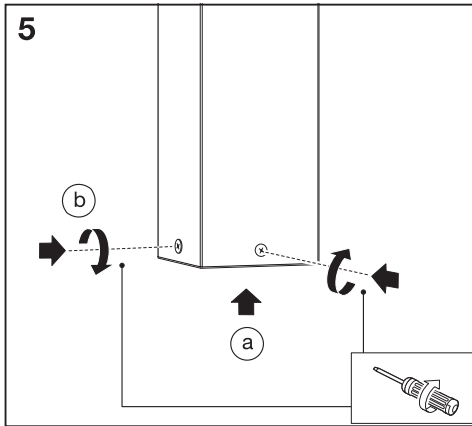
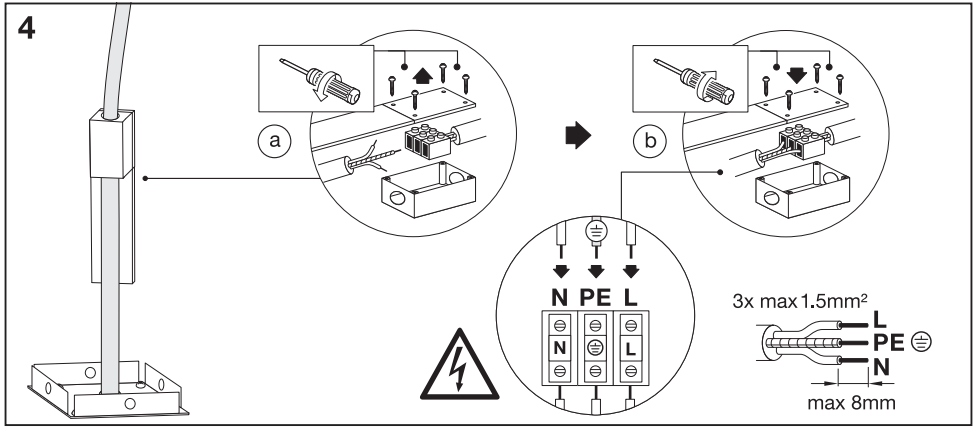



ENDURA® STYLE



	EAN	W	lm	K	°C	V~	mA	Hz	DF
ENDURA STYLE CRYSTAL 80CM 4.5W ST	4058075474239	4,5	400	3000	-20...+50	220-240	40	50/60	>0,5
ENDURA STYLE CRYSTAL 40CM 4.5W ST	4058075474253	4,5	400	3000	-20...+50	220-240	40	50/60	>0,5





	EAN	This product contains a light source of energy efficiency class	Contained Light Source
ENDURA STYLE CRYSTAL 80CM 4.5W ST	4058075474239	E	
ENDURA STYLE CRYSTAL 40CM 4.5W ST	4058075474253	E	



C10449057
G11121833
13.04.2022



LEDVANCE GmbH
Steinerne Furt 62
86167 Augsburg, Germany
www.ledvance.com