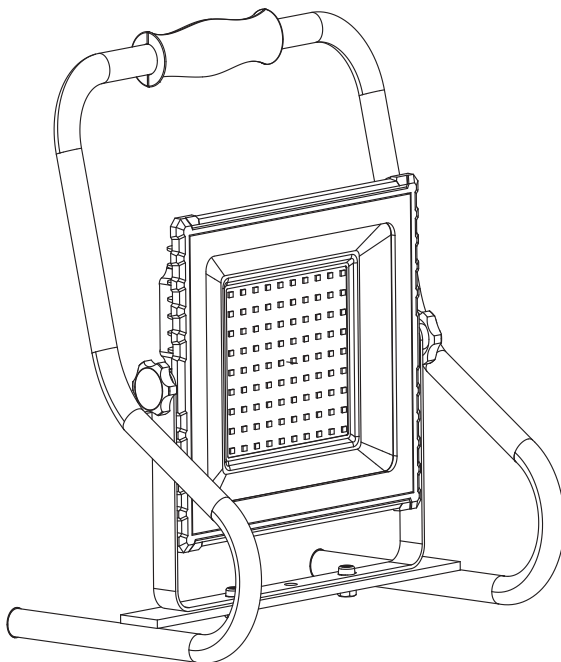


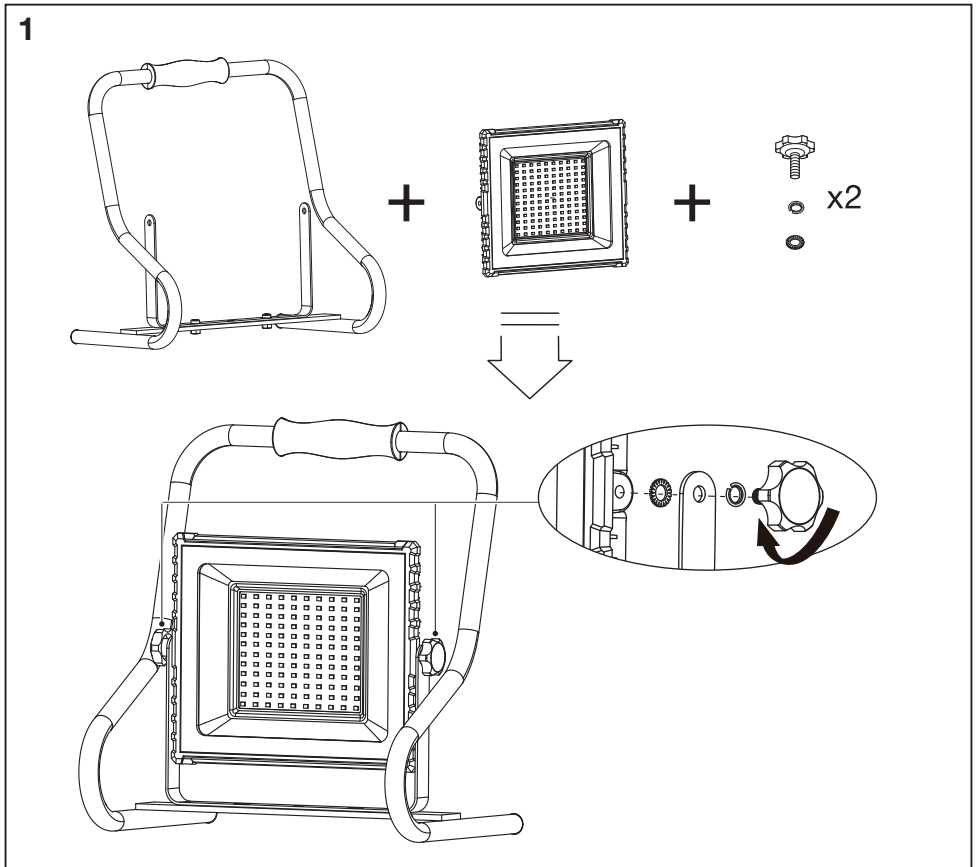
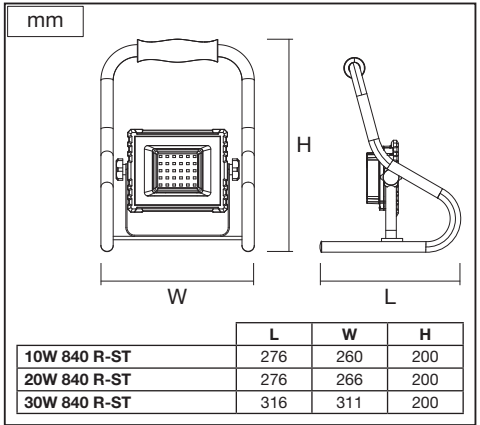
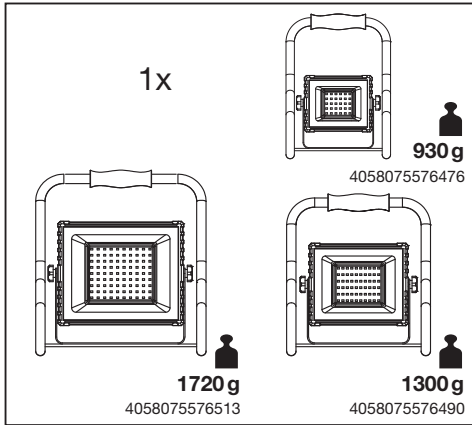
---

## LED WORKLIGHT BATTERY

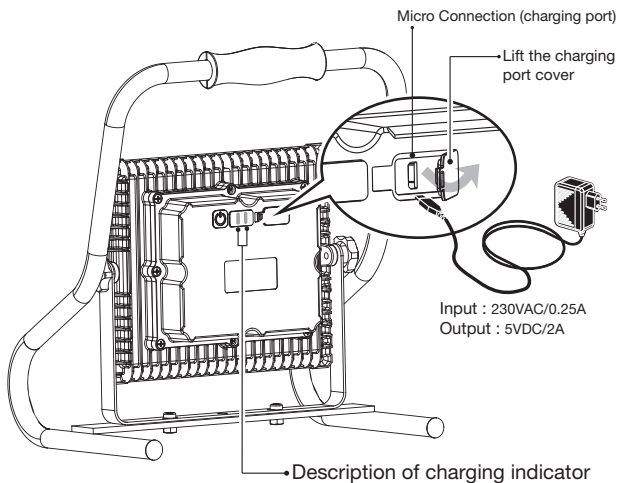
---



	EAN	W	lm	K	IP (adaptor)	IP (lamp body)	Temp. (°C)	V <sub>ac</sub> (adaptor)	mA (adaptor)	Hz (adaptor)	PF (adaptor)
LED WORKLIGHT BATTERY 10W 840 R-ST	4058075576476	10	800	4000	20	44	-20...+40	220-240	129	50/60	>0.4
LED WORKLIGHT BATTERY 20W 840 R-ST	4058075576490	20	1600	4000	20	44	-20...+40	220-240	101	50/60	>0.4
LED WORKLIGHT BATTERY 30W 840 R-ST	4058075576513	30	2400	4000	20	44	-20...+40	220-240	93	50/60	>0.4



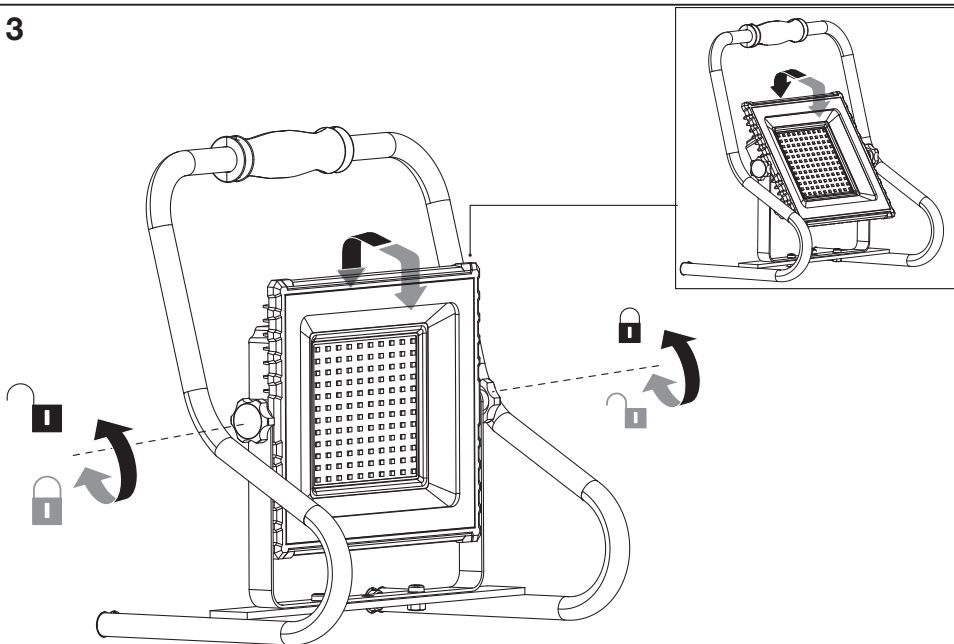
2



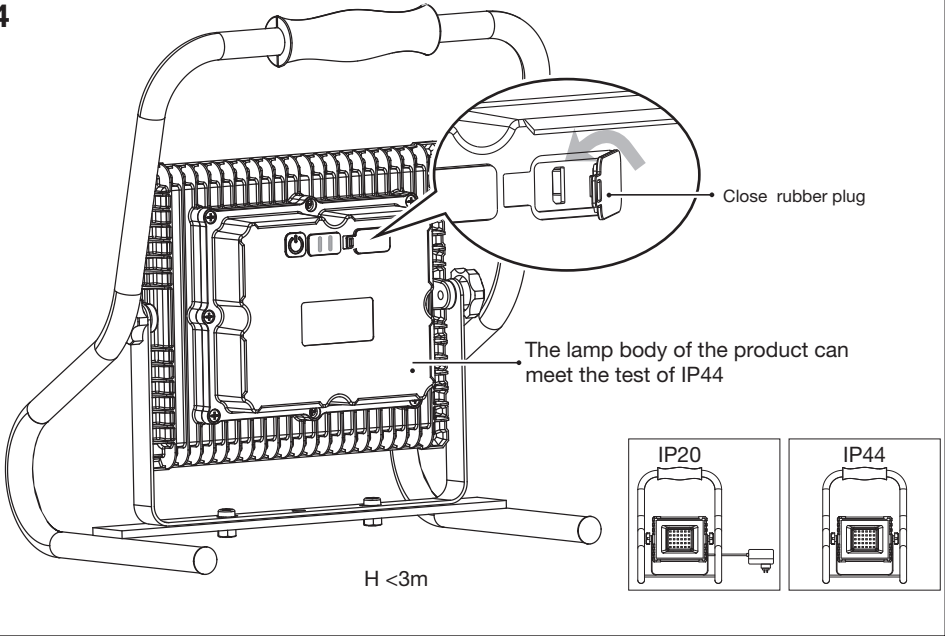
	Charging time	Discharging time
10W 840 R-ST	3h	4h
20W 840 R-ST	6h	4h
30W 840 R-ST	8h	4h

1. When charging, the red light is on
2. After charging, the red light goes out and the green light goes on

3



4



	EAN	This product contains a light source of energy efficiency class	Contained Light Source
LED WORKLIGHT BATTERY 10W 840 R-ST	4058075576476	F	
LED WORKLIGHT BATTERY 20W 840 R-ST	4058075576490	F	
LED WORKLIGHT BATTERY 30W 840 R-ST	4058075576513	F	



C10449057  
G11120859  
18.08.2021



LEDVANCE GmbH  
Steinerne Furt 62  
86167 Augsburg, Germany  
[www.ledvance.com](http://www.ledvance.com)