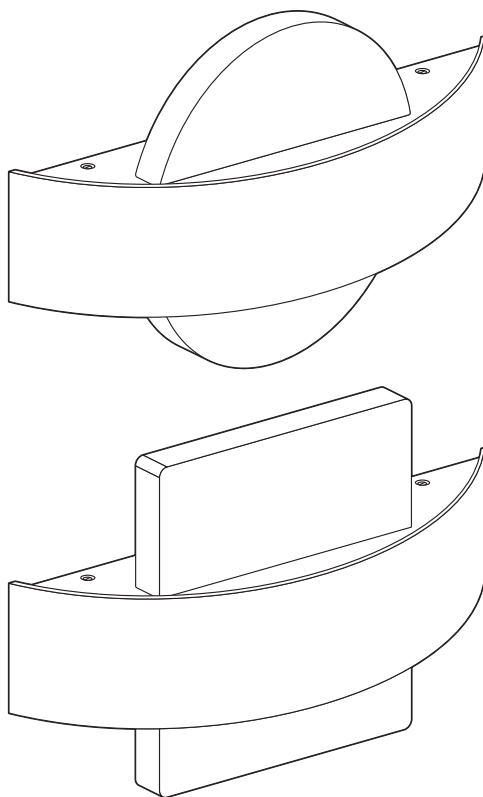
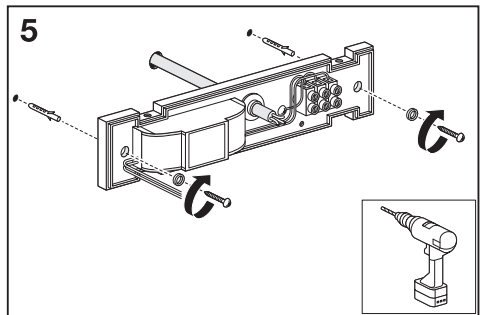
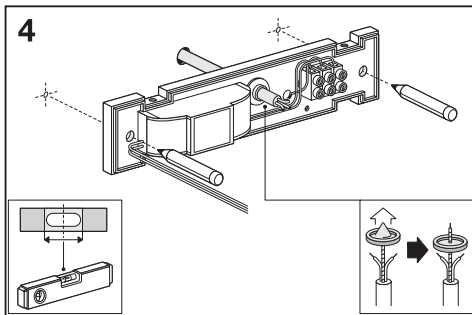
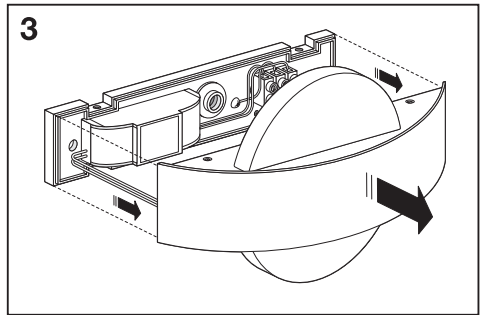
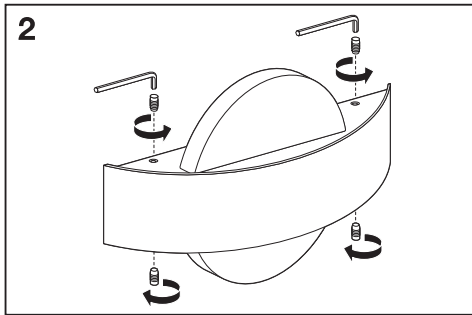
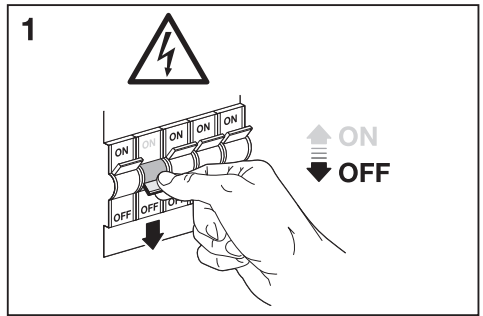
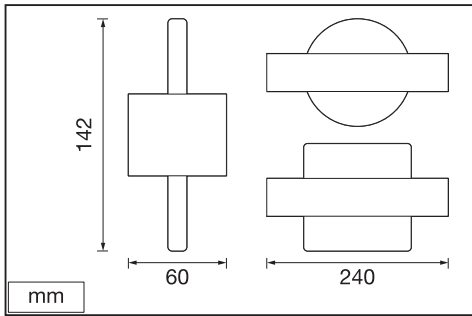
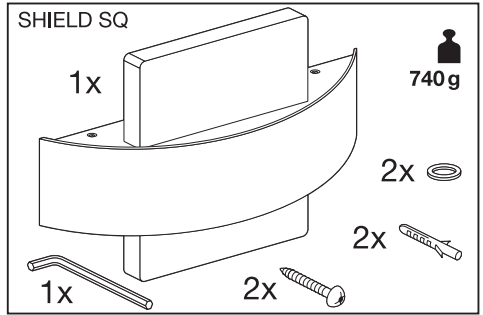
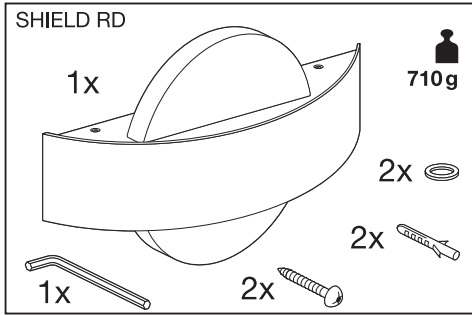
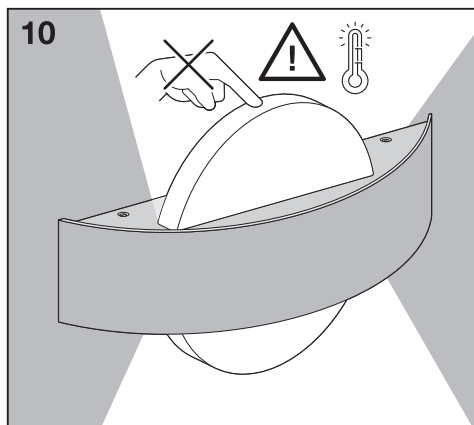
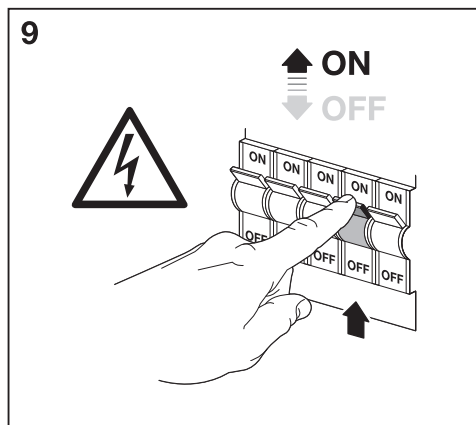
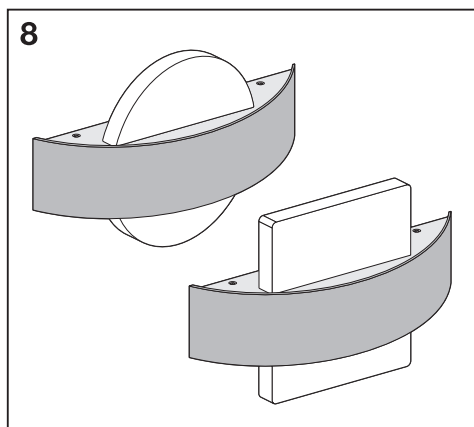
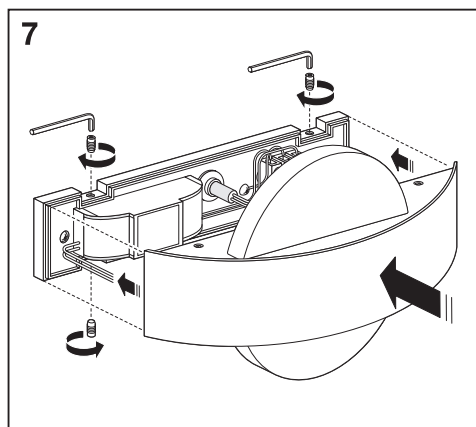
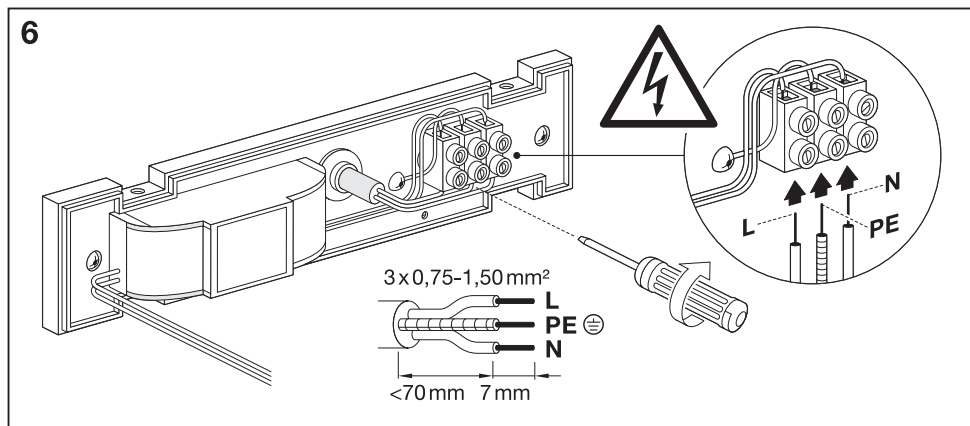



**ENDURA® STYLE
SHIELD**



	EAN	W	lm	K	Temp. (°C)	V~	mA	Hz	PF
ENDURA® STYLE SHIELD RD 11 W DG SLR	4058075205291	11	400	3000	-20...+40	220-240	63	50/60	>0.5
ENDURA® STYLE SHIELD SQ 11 W DG SLR	4058075205314	11	410	3000	-20...+40	220-240	63	50/60	>0.5





	EAN	This product contains a light source of energy efficiency class	Contained Light Source
ENDURA® STYLE SHIELD RD 11 W DG SLR	4058075205291	E	
ENDURA® STYLE SHIELD SQ 11 W DG SLR	4058075205314	E	



C10449057
G11121825
26.10.2021



LEDVANCE GmbH
Steinerne Furt 62
86167 Augsburg, Germany
www.ledvance.com