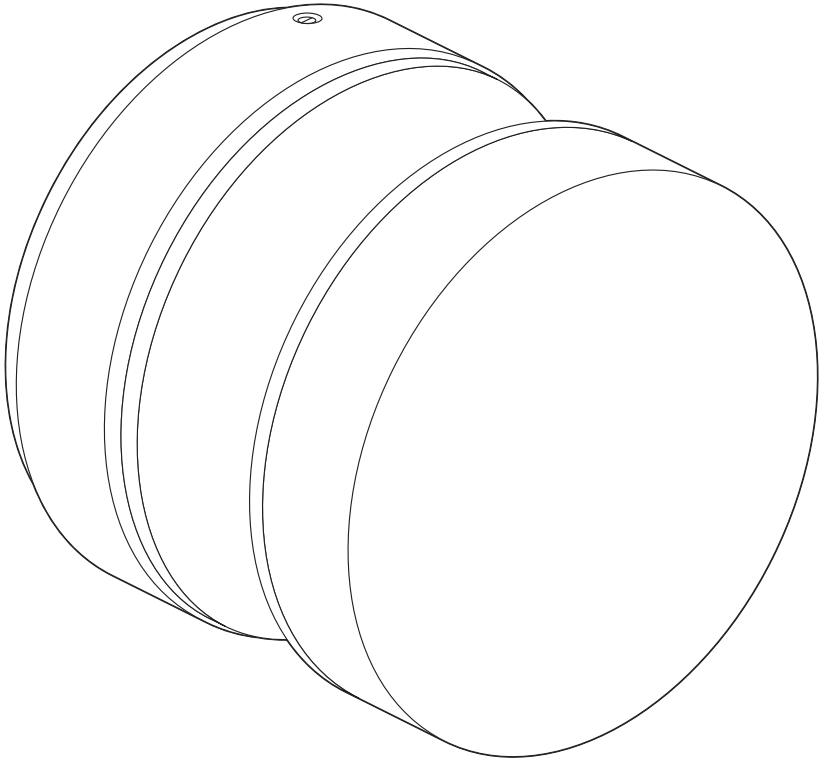

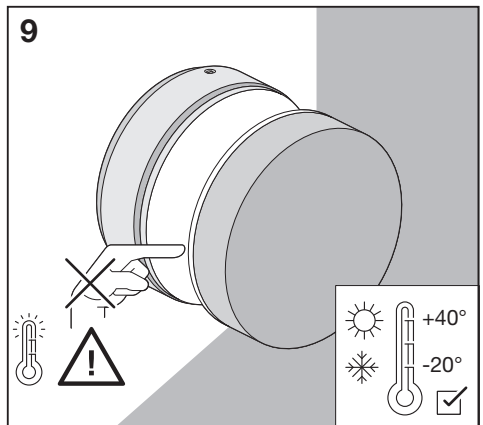
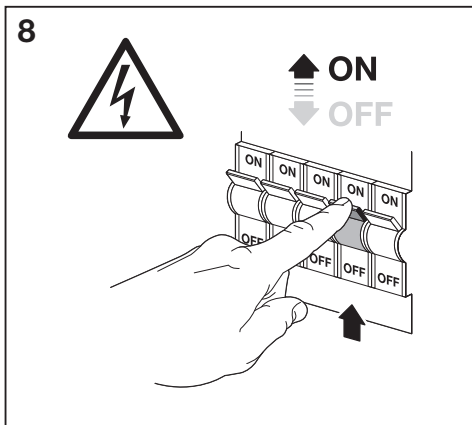
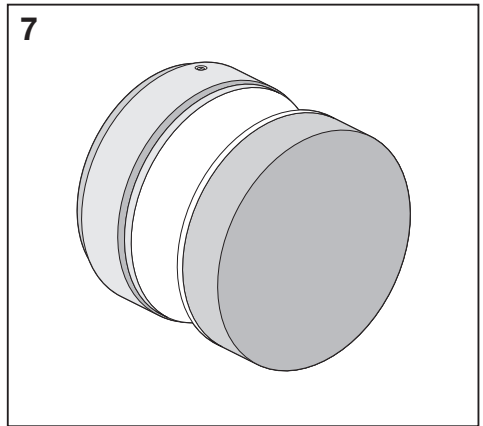
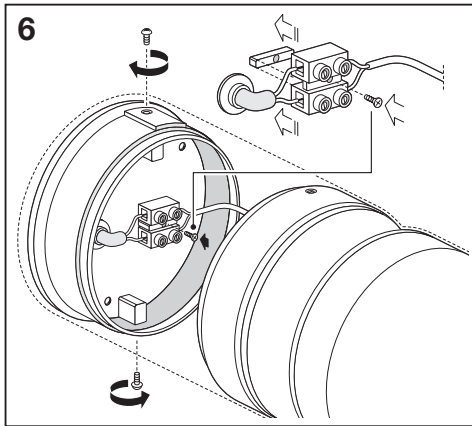
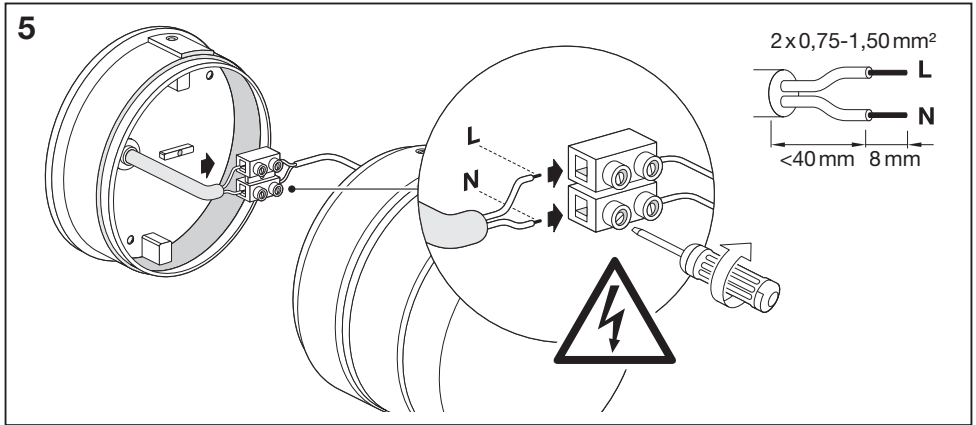


ENDURA® STYLE CYLINDER CEILING



	EAN	W	lm Light Source	lm Output	K	Δ (°C)	V~	mA	Hz	DF	
ENDURA STYLE CYLINDER CEILING 6W ST	4058075205413	6	660	360	3000	-20...+40	220-240	40	50/60	>0.5	15000



	EAN	This product contains a light source of energy efficiency class	Contained Light Source
ENDURA STYLE CYLINDER CEILING 6W ST	4058075205413	E	

























 Points de collecte sur www.quefairedemesdechets.fr

C10449057
 G11144931
 10.06.2022



LEDVANCE GmbH
 Steinerne Furt 62
 86167 Augsburg, Germany
www.ledvance.com