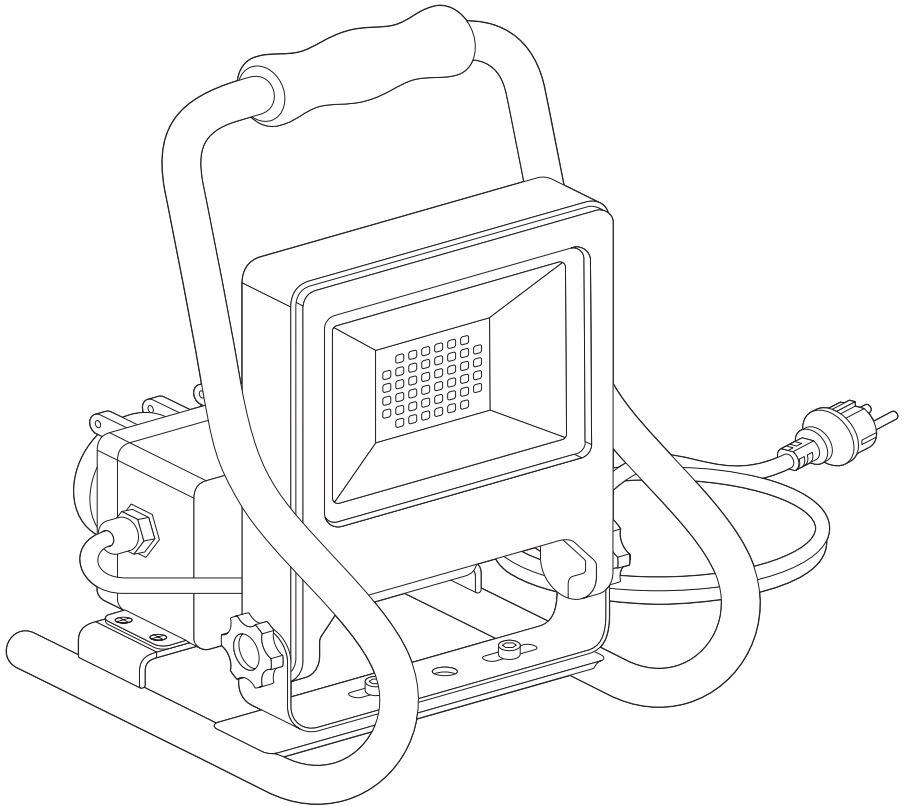


---

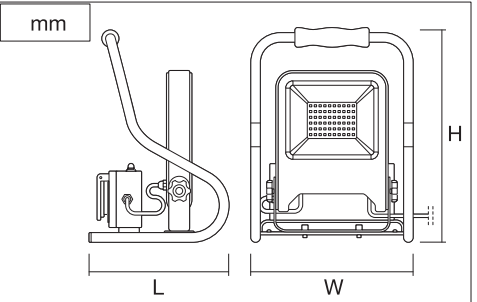
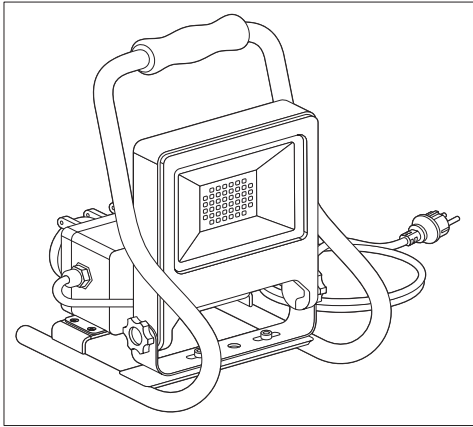
## LED WORKLIGHT R-STAND SOCKET

---



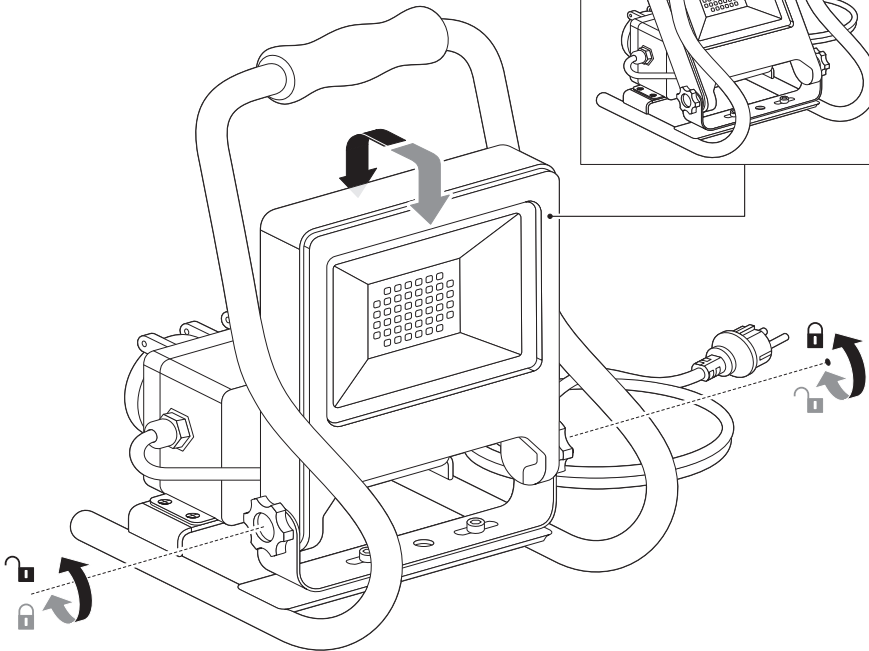
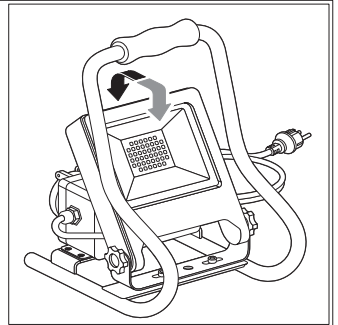
	EAN	W	lm	K	°C	V~	mA	Hz	PF
<b>LED WORKLIGHT 20W 840 R-STAND SOCKET</b>	4058075321304	20	1700	4000	-20...+45	220-240	92	50/60	>0.9
<b>LED WORKLIGHT 30W 840 R-STAND SOCKET</b>	4058075321328	30	2700	4000	-20...+45	220-240	145	50/60	>0.9
<b>LED WORKLIGHT 50W 840 R-STAND SOCKET</b>	4058075321342	50	4500	4000	-20...+45	220-240	220	50/60	>0.9

# R-STAND SOCKET

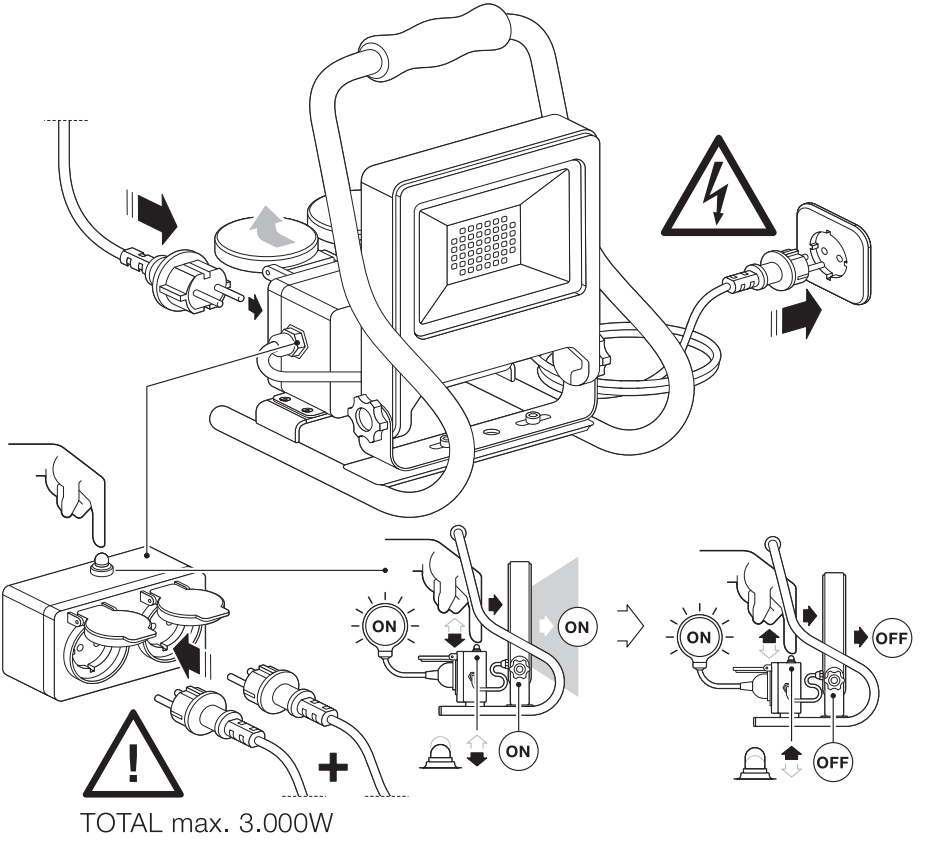


	L	W	H	⚖️
<b>R-STAND SOCKET 20W</b>	224	227	278	1,8kg
<b>R-STAND SOCKET 30W</b>	224	232	307	2,1 kg
<b>R-STAND SOCKET 50W</b>	278	270	375	2,7 kg

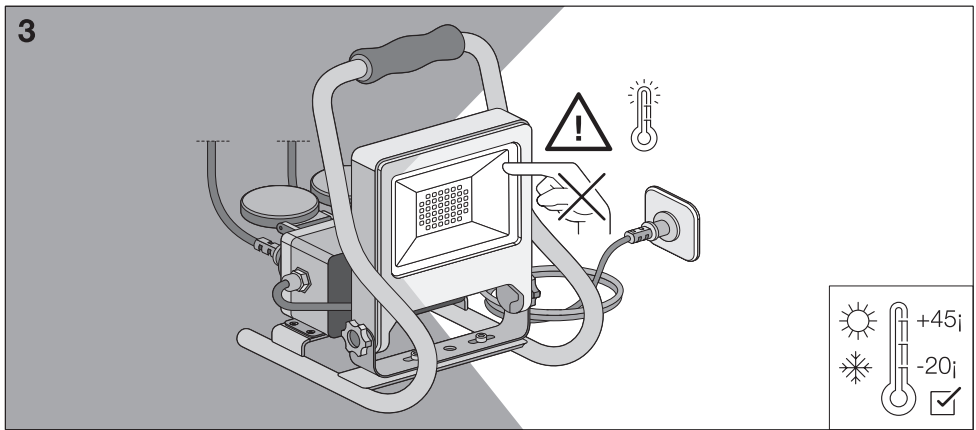
1






2



3



	EAN	This product contains a light source of energy efficiency class	Contained Light Source
LED WORKLIGHT 20W 840 R-STAND SOCKET	4058075321304	F	
LED WORKLIGHT 30W 840 R-STAND SOCKET	4058075321328	F	
LED WORKLIGHT 50W 840 R-STAND SOCKET	4058075321342	F	



C10449057  
G11121903  
02.06.2021



LEDVANCE GmbH  
Steinerne Furt 62  
86167 Augsburg, Germany  
[www.ledvance.com](http://www.ledvance.com)