

---

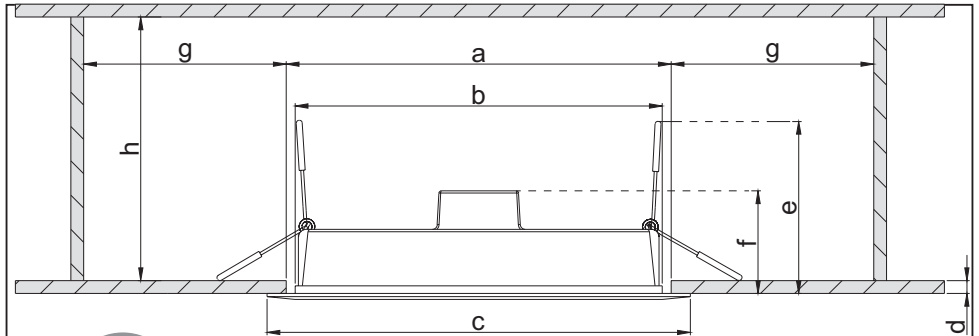
## DOWNLIGHT IP44

---

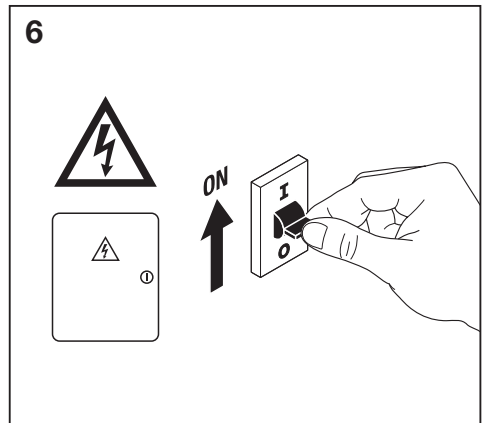
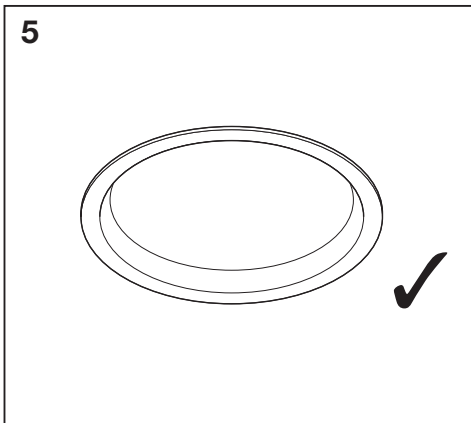
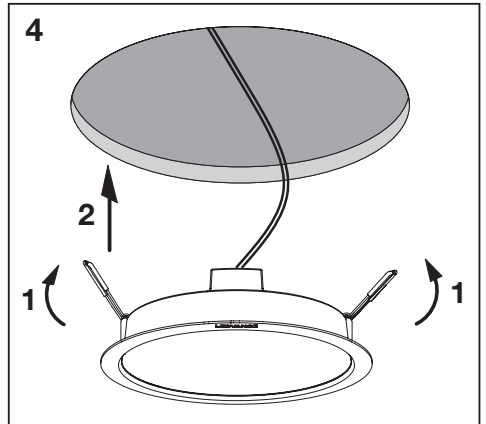
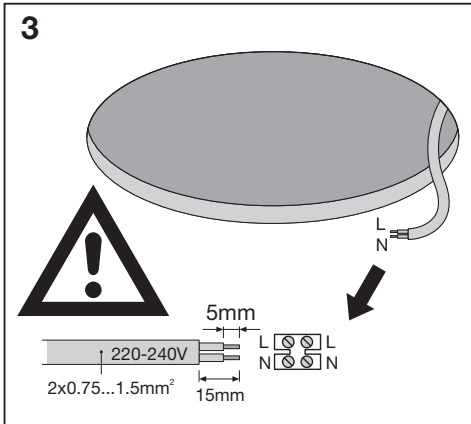
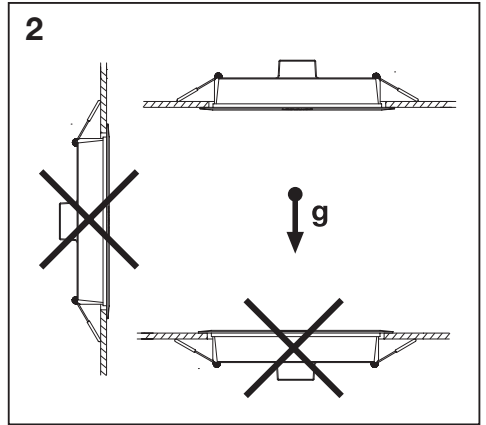
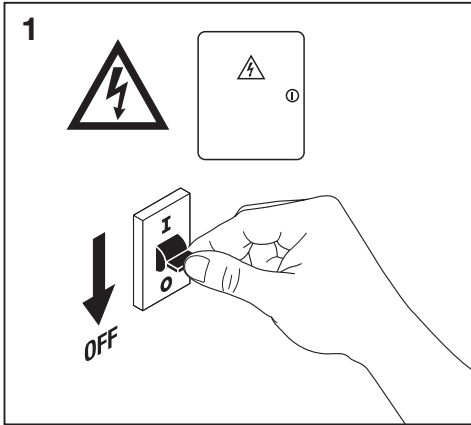


	EAN	Ø x h [mm]	W	VAC	Hz	lm	lm/W	K
<b>DL IP44 DN 90 4W 830 WT</b>	4058075702868	90 x 42	4	220-240	50/60	400	100	3000
<b>DL IP44 DN 90 4W 840 WT</b>	4058075702882	90 x 42	4	220-240	50/60	400	100	4000
<b>DL IP44 DN 90 4W 865 WT</b>	4058075702929	90 x 42	4	220-240	50/60	400	100	6500
<b>DL IP44 DN 115 8W 830 WT</b>	4058075702943	115 x 42	8	220-240	50/60	800	100	3000
<b>DL IP44 DN 115 8W 840 WT</b>	4058075702967	115 x 42	8	220-240	50/60	800	100	4000
<b>DL IP44 DN 115 8W 865 WT</b>	4058075703025	115 x 42	8	220-240	50/60	800	100	6500
<b>DL IP44 DN 165 13W 830 WT</b>	4058075703049	165 x 42	13	220-240	50/60	1300	100	3000
<b>DL IP44 DN 165 13W 840 WT</b>	4058075703087	165 x 42	13	220-240	50/60	1300	100	4000
<b>DL IP44 DN 165 13W 865 WT</b>	4058075703100	165 x 42	13	220-240	50/60	1300	100	6500
<b>DL IP44 DN 190 18W 830 WT</b>	4058075703124	190 x 42	18	220-240	50/60	1800	100	3000
<b>DL IP44 DN 190 18W 840 WT</b>	4058075703148	190 x 42	18	220-240	50/60	1800	100	4000
<b>DL IP44 DN 190 18W 865 WT</b>	4058075703179	190 x 42	18	220-240	50/60	1800	100	6500
<b>DL IP44 DN 215 24W 830 WT</b>	4058075703193	215 x 43	24	220-240	50/60	2400	100	3000
<b>DL IP44 DN 215 24W 840 WT</b>	4058075703223	215 x 43	24	220-240	50/60	2400	100	4000
<b>DL IP44 DN 215 24W 865 WT</b>	4058075703247	215 x 43	24	220-240	50/60	2400	100	6500
<b>DL IP44 DN 215 30W 830 WT</b>	4058075703285	215 x 43	30	220-240	50/60	3000	100	3000
<b>DL IP44 DN 215 30W 840 WT</b>	4058075703308	215 x 43	30	220-240	50/60	3000	100	4000
<b>DL IP44 DN 215 30W 865 WT</b>	4058075703322	215 x 43	30	220-240	50/60	3000	100	6500

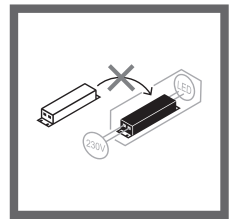
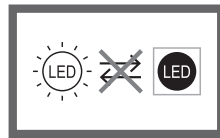
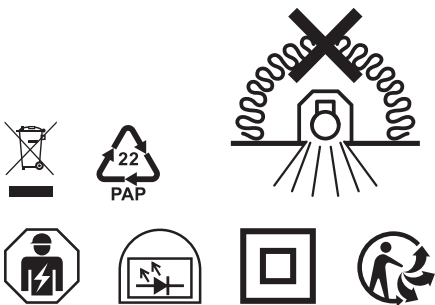
	EAN	IP	IK	◊	R <sub>a</sub>	⊡ (°C)	PF	👤
DL IP44 DN 90 4W 830 WT	4058075702868	44	03	100°	>80	-20...+40	>0.5	50g
DL IP44 DN 90 4W 840 WT	4058075702882	44	03	100°	>80	-20...+40	>0.5	50g
DL IP44 DN 90 4W 865 WT	4058075702929	44	03	100°	>80	-20...+40	>0.5	50g
DL IP44 DN 115 8W 830 WT	4058075702943	44	03	100°	>80	-20...+40	>0.5	70g
DL IP44 DN 115 8W 840 WT	4058075702967	44	03	100°	>80	-20...+40	>0.5	70g
DL IP44 DN 115 8W 865 WT	4058075703025	44	03	100°	>80	-20...+40	>0.5	70g
DL IP44 DN 165 13W 830 WT	4058075703049	44	03	100°	>80	-20...+40	>0.5	140g
DL IP44 DN 165 13W 840 WT	4058075703087	44	03	100°	>80	-20...+40	>0.5	140g
DL IP44 DN 165 13W 865 WT	4058075703100	44	03	100°	>80	-20...+40	>0.5	140g
DL IP44 DN 190 18W 830 WT	4058075703124	44	03	100°	>80	-20...+40	>0.5	197g
DL IP44 DN 190 18W 840 WT	4058075703148	44	03	100°	>80	-20...+40	>0.5	197g
DL IP44 DN 190 18W 865 WT	4058075703179	44	03	100°	>80	-20...+40	>0.5	197g
DL IP44 DN 215 24W 830 WT	4058075703193	44	03	100°	>80	-20...+40	>0.5	252g
DL IP44 DN 215 24W 840 WT	4058075703223	44	03	100°	>80	-20...+40	>0.5	252g
DL IP44 DN 215 24W 865 WT	4058075703247	44	03	100°	>80	-20...+40	>0.5	252g
DL IP44 DN 215 30W 830 WT	4058075703285	44	03	100°	>80	-20...+35	>0.9	290g
DL IP44 DN 215 30W 840 WT	4058075703308	44	03	100°	>80	-20...+35	>0.9	290g
DL IP44 DN 215 30W 865 WT	4058075703322	44	03	100°	>80	-20...+35	>0.9	290g



Model	a [mm]	b [mm]	c [mm]	d [mm]	e [mm]	f [mm]	g [mm]	h [mm]
DL IP44 DN90	∅ 75	∅ 68	∅ 90	3-25	68	40	>60	>70
DL IP44 DN115	∅ 100	∅ 93	∅ 115	3-25	68	40	>60	>70
DL IP44 DN165	∅ 150	∅ 143	∅ 165	3-25	68	40	>60	>70
DL IP44 DN190	∅ 175	∅ 168	∅ 190	3-25	68	40	>60	>70
DL IP44 DN215	∅ 200	∅ 194	∅ 215	3-25	68	40	>60	>70



	B16	B25	B32	C16	C25	C32
DL IP44 DN 90 4W 8XX WT	373	583	746	320	500	640
DL IP44 DN 115 8W 8XX WT	186	291	373	160	250	320
DL IP44 DN 165 13W 8XX WT	112	175	224	96	150	192
DL IP44 DN 190 18W 8XX WT	80	125	160	68	107	137
DL IP44 DN 215 24W 8XX WT	62	97	124	53	83	106
DL IP44 DN 215 30W 8XX WT	86	134	172	73	115	147



C10449057  
G11127701  
08.10.21



LEDVANCE GmbH  
Steinerne Furt 62  
86167 Augsburg, Germany  
[www.ledvance.com](http://www.ledvance.com)