

---



---

**SURFACE CIRCULAR 500**


---



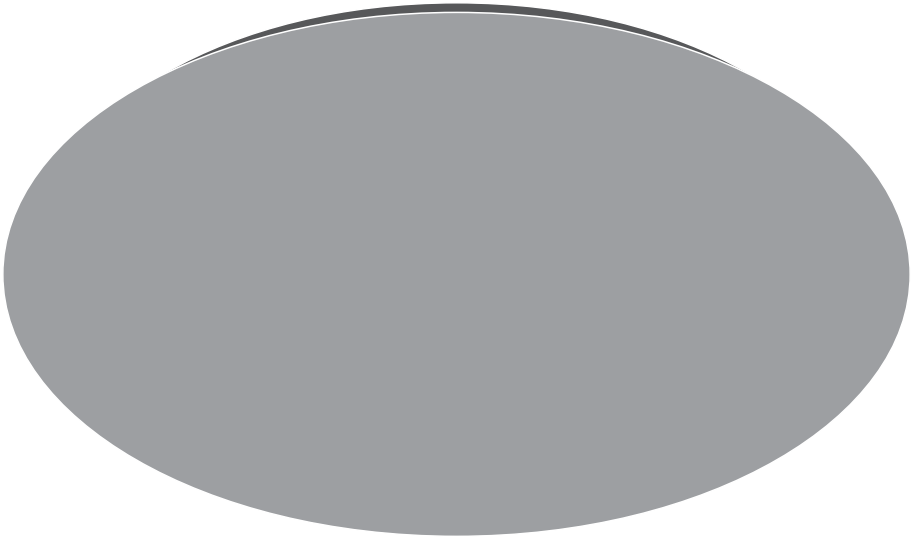
---





---

**SURFACE CIRCULAR 500 SENSOR**


---

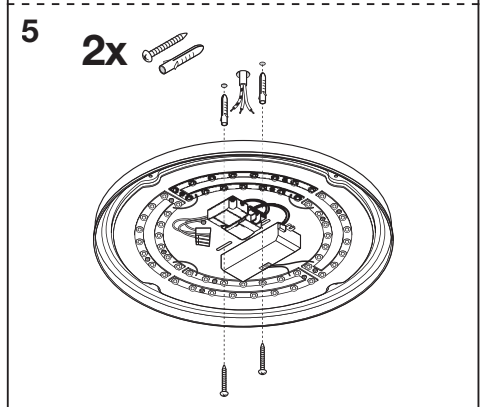
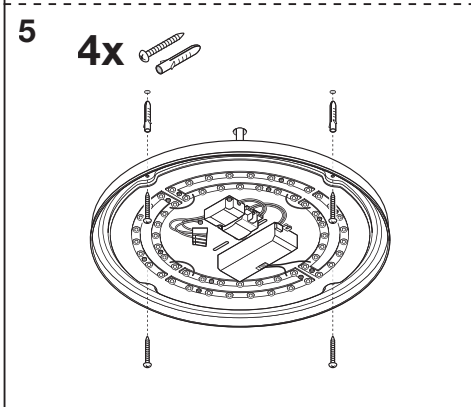
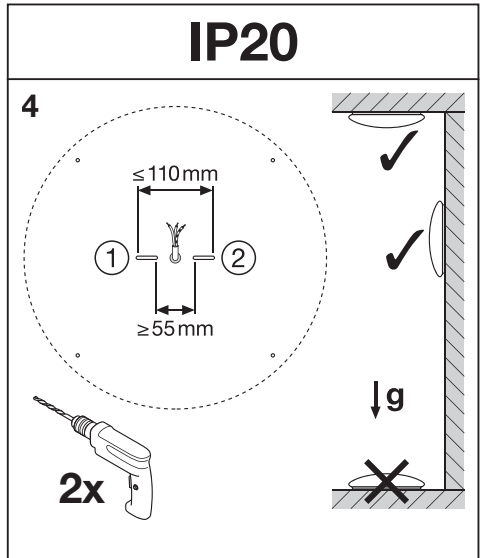
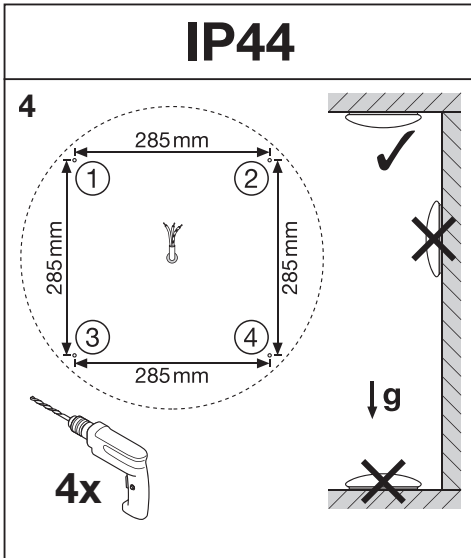
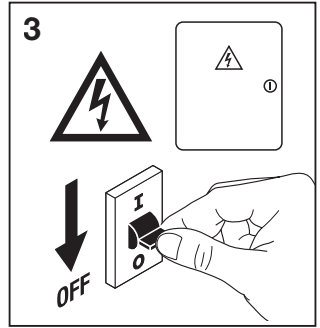
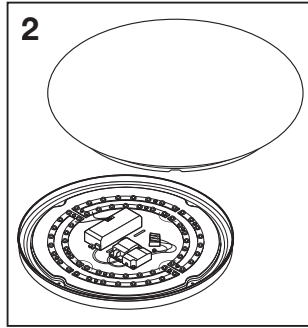
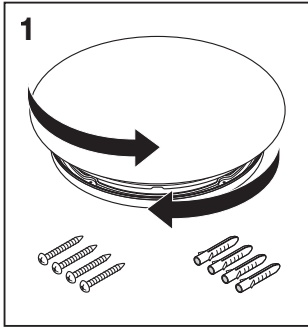


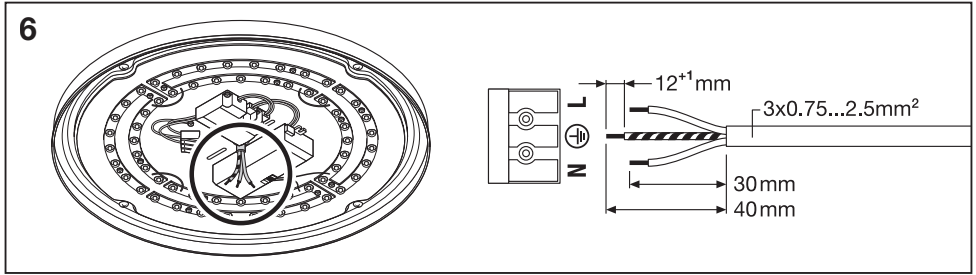
	EAN	Ø x h [mm]	W	V <sub>AC</sub>	Hz	lm	lm/W	K
SF CIRC 500 V 42W 830 IP44 PS	4099854042119	500 x 105	42	220-240	50/60	3500	83	3000
SF CIRC 500 V 42W 840 IP44 PS	4099854042133	500 x 105	42	220-240	50/60	3500	83	4000
SF CIRC 500 SEN V 42W 830 IP44 PS	4099854042157	500 x 105	42	220-240	50/60	3500	83	3000
SF CIRC 500 SEN V 42W 840 IP44 PS	4099854042171	500 x 105	42	220-240	50/60	3500	83	4000

	EAN	IP	IK		R <sub>a</sub>	⌈ (°C)	PF	
SF CIRC 500 V 42W 830 IP44 PS	4099854042119	44	03	120°	> 80	-20...+45	> 0.9	1.2kg
SF CIRC 500 V 42W 840 IP44 PS	4099854042133	44	03	120°	> 80	-20...+45	> 0.9	1.2kg
SF CIRC 500 SEN V 42W 830 IP44 PS	4099854042157	44	03	120°	> 80	-20...+45	> 0.9	1.2kg
SF CIRC 500 SEN V 42W 840 IP44 PS	4099854042171	44	03	120°	> 80	-20...+45	> 0.9	1.2kg

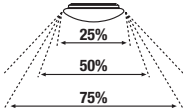
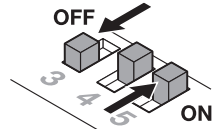
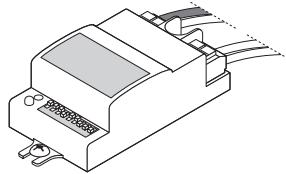
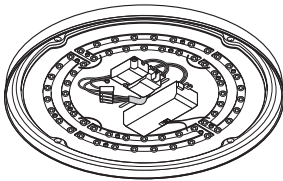
\*

W AC	42W	30W	19W
lm	3500lm	2500lm	1500lm





**SURFACE CIRCULAR 500 SENSOR**



Detection Area

1	2	3	
ON	ON	ON	100 %
-	ON	ON	75 %
ON	-	ON	50 %
-	-	ON	25 %
-	-	-	10 %



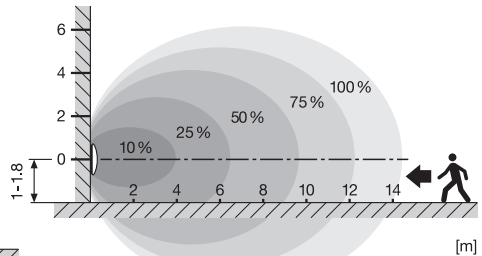
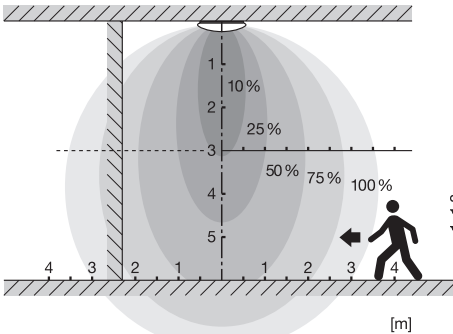
Hold Time

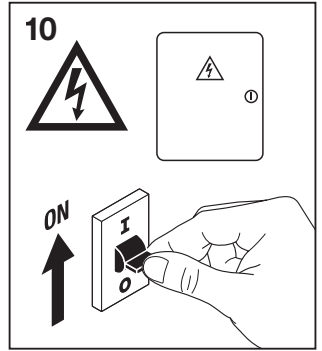
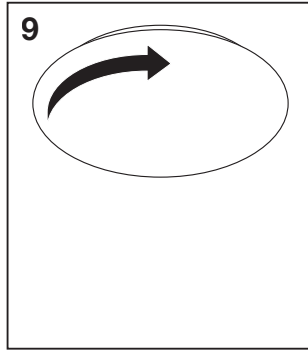
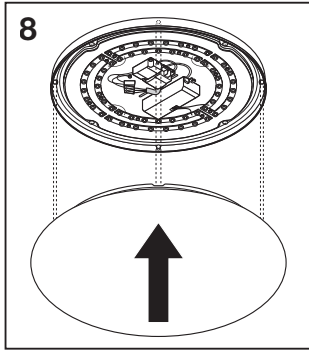
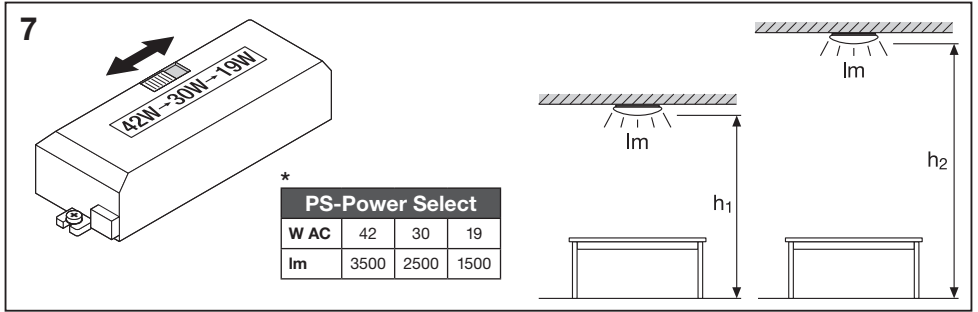
4	5	6	
ON	ON	ON	5 s
-	ON	ON	30 s
ON	-	ON	90 s
-	-	ON	3 min
ON	ON	-	20 min
-	-	-	30 min



Daylight Sensor

7	8	9	
ON	ON	ON	2 LUX
ON	ON	-	10 LUX
-	ON	-	25 LUX
ON	-	-	50 LUX
-	-	-	Disable





	<b>EAN</b>	<b>Ø x h [mm]</b>
<b>SF CIRCULAR 500 COVER</b>	4099854064395	500x99

	<b>C10 A</b> 	<b>B16 A</b> 	<b>C16 A</b> 
<b>SF CIRC 500 V</b>	10x	11x	17x
<b>SF CIRC 500 SEN V</b>	7x	7x	11x



**FR**  
Cet appareil et ses accessoires se recyclent

À DÉPOSER EN MAGASIN  
OU  
À DÉPOSER EN DÉCHÈTERIE

Points de collecte sur [www.quefairedemesdechets.fr](http://www.quefairedemesdechets.fr)



LEDVANCE GmbH  
Steinerne Furt 62  
86167 Augsburg, Germany  
[www.ledvance.com](http://www.ledvance.com)

C10449057  
G11152622  
24.10.22

© LEDVANCE Ltd, Aquila House  
Delta Crescent, Westbrook, Warrington  
WA5 7NR, United Kingdom