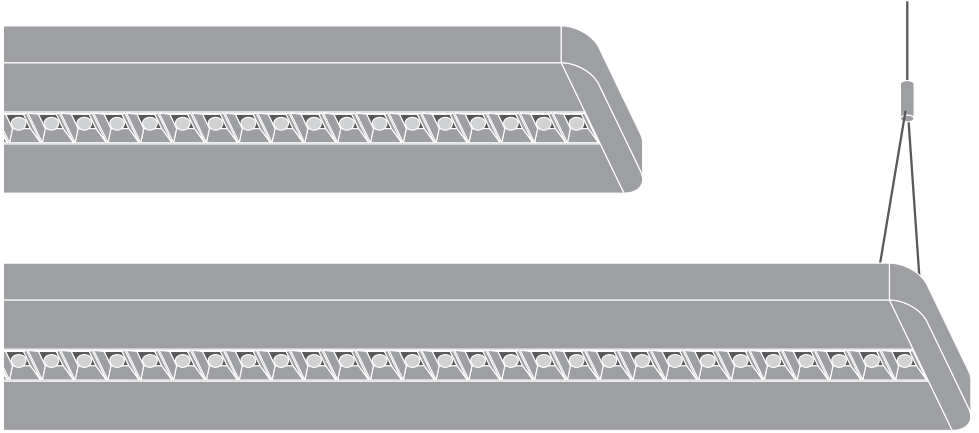


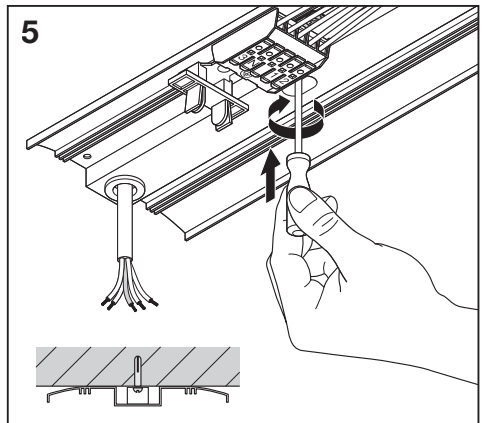
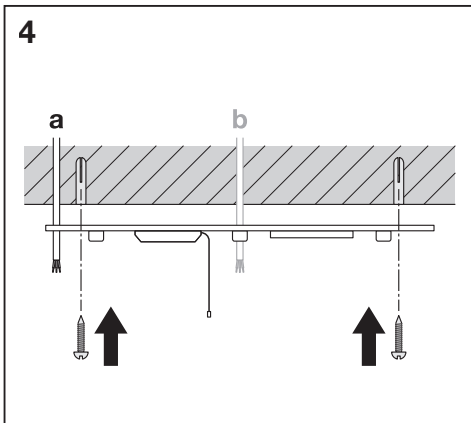
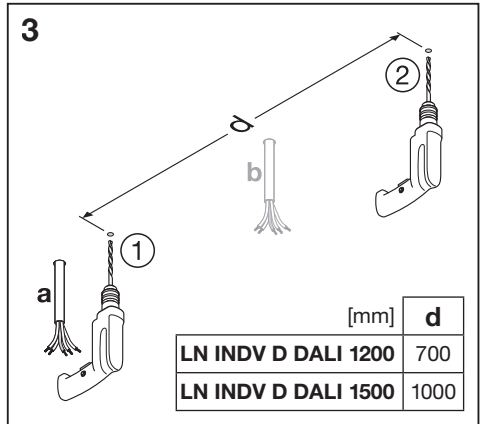
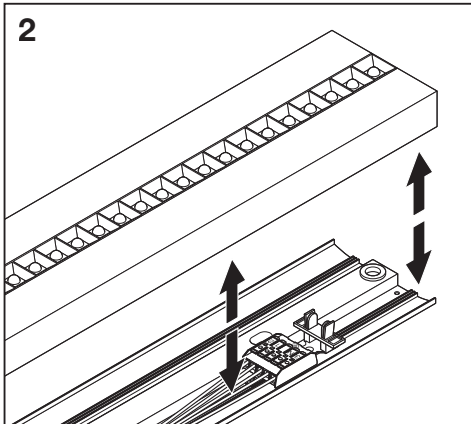
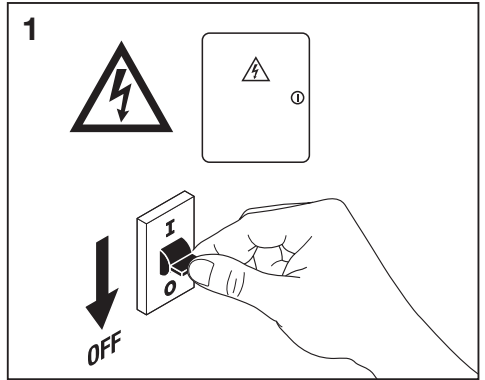
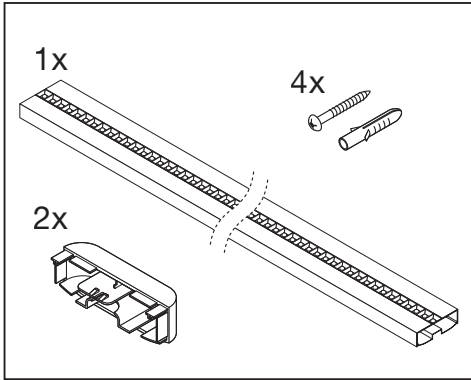
LINEAR IndiviLED® DALI

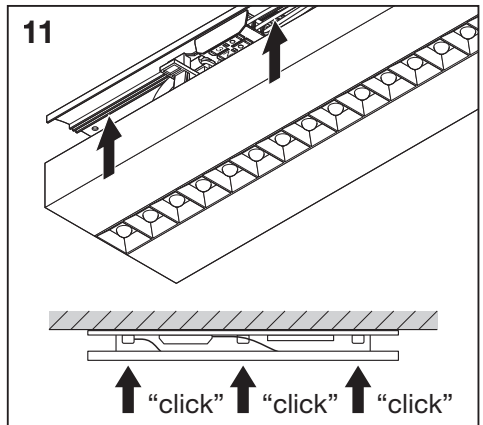
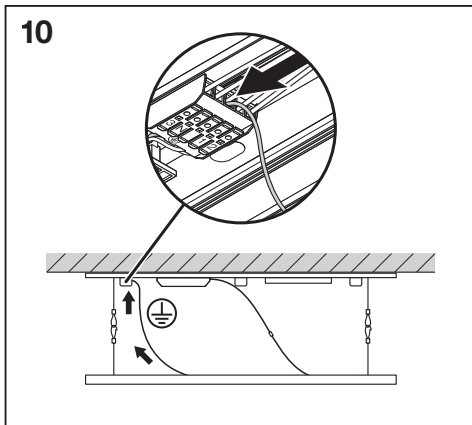
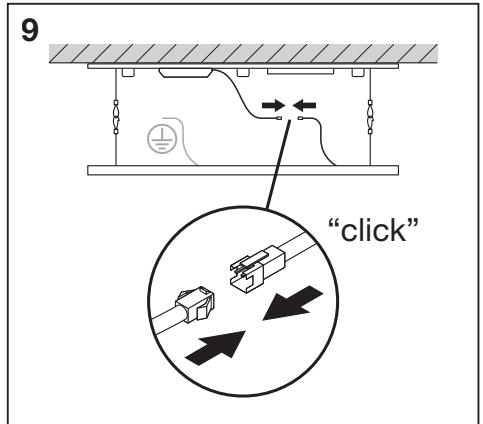
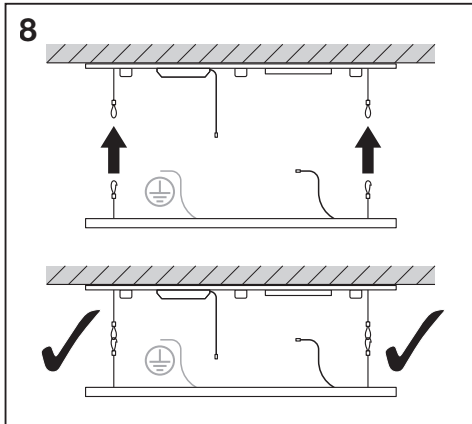
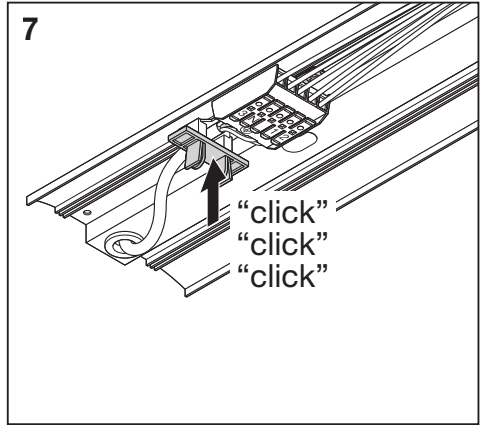
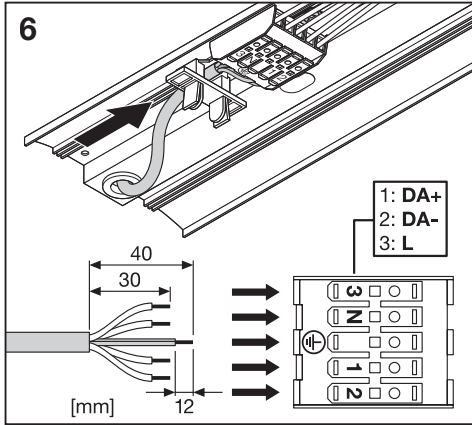


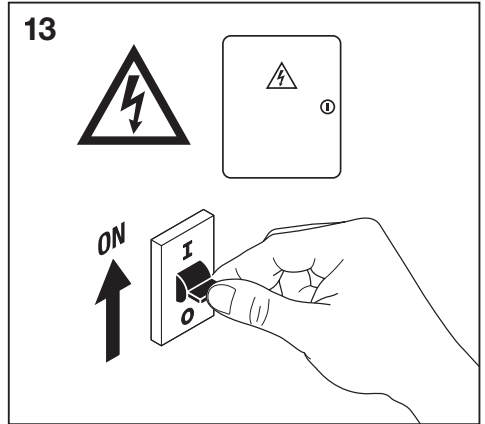
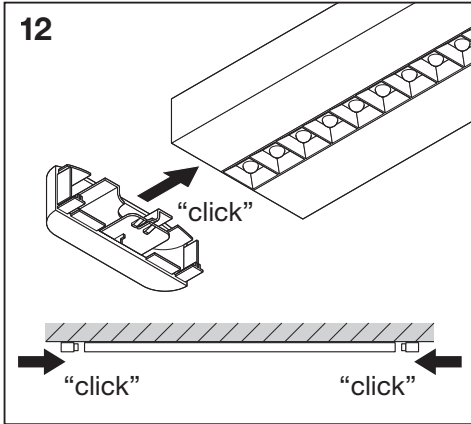
	EAN	l x w x h [mm]	W	W (230 V DC)	lm	lm (230 V DC)	lm/W
LN INDV D DALI 1200 34W/3000K	4058075108806	1199x120x40	34	6	3800	700	110
LN INDV D DALI 1200 34W/4000K	4058075108905	1199x120x40	34	6	4200	700	120
LN INDV D DALI 1500 25W/3000K	4058075108929	1488x120x40	25	4.5	3100	480	125
LN INDV D DALI 1500 25W/4000K	4058075108943	1488x120x40	25	4.5	3300	480	125
LN INDV D DALI 1500 48W/3000K	4058075108967	1488x120x40	48	8.5	5300	910	110
LN INDV D DALI 1500 48W/4000K	4058075108981	1488x120x40	48	8.5	5700	910	120
LN INDV D/I DALI 1200 42W/3000K	4058075109001	1199x120x40	42 (34+8)	8.5 (6+2.5)	4650 (3800+850)	815 (700+115)	110
LN INDV D/I DALI 1200 42W/4000K	4058075109025	1199x120x40	42 (34+8)	8.5 (6+2.5)	5050 (4200+850)	815 (700+115)	120
LN INDV D/I DALI 1500 56W/3000K	4058075109049	1488x120x40	56 (48+8)	11 (8.5+2.5)	6150 (5300+850)	1025 (910+115)	110
LN INDV D/I DALI 1500 56W/4000K	4058075109063	1488x120x40	56 (48+8)	11 (8.5+2.5)	6550 (5700+850)	1025 (910+115)	115

	EAN	K	IP	IK	°(°C)	VAC	VDC	Hz	◊	PF	R _a	👤
LN INDV D DALI 1200 34W/3000K	4058075108806	3000	20	06	-20...+45	220-240V	230V	0/50/60Hz	70°	> 0.9	> 80	2.5 kg
LN INDV D DALI 1200 34W/4000K	4058075108905	4000	20	06	-20...+45	220-240V	230V	0/50/60Hz	70°	> 0.9	> 80	2.5 kg
LN INDV D DALI 1500 25W/3000K	4058075108929	3000	20	06	-20...+45	220-240V	230V	0/50/60Hz	70°	> 0.9	> 80	3.0 kg
LN INDV D DALI 1500 25W/4000K	4058075108943	4000	20	06	-20...+45	220-240V	230V	0/50/60Hz	70°	> 0.9	> 80	3.0 kg
LN INDV D DALI 1500 48W/3000K	4058075108967	3000	20	06	-20...+45	220-240V	230V	0/50/60Hz	70°	> 0.9	> 80	3.2 kg
LN INDV D DALI 1500 48W/4000K	4058075108981	4000	20	06	-20...+45	220-240V	230V	0/50/60Hz	70°	> 0.9	> 80	3.2 kg
LN INDV D/I DALI 1200 42W/3000K	4058075109001	3000	20	06	-20...+45	220-240V	230V	0/50/60Hz	70° + 120°	> 0.9	> 80	2.9 kg
LN INDV D/I DALI 1200 42W/4000K	4058075109025	4000	20	06	-20...+45	220-240V	230V	0/50/60Hz	70° + 120°	> 0.9	> 80	2.9 kg
LN INDV D/I DALI 1500 56W/3000K	4058075109049	3000	20	06	-20...+45	220-240V	230V	0/50/60Hz	70° + 120°	> 0.9	> 80	3.5 kg
LN INDV D/I DALI 1500 56W/4000K	4058075109063	4000	20	06	-20...+45	220-240V	230V	0/50/60Hz	70° + 120°	> 0.9	> 80	3.5 kg

LINEAR IndiviLED® DIRECT DALI

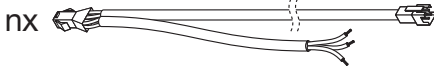






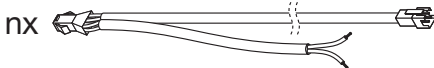
LN INDV 1200 THROUGHWIRING KIT
EAN 4058075158030

LN INDV 1500 THROUGHWIRING KIT
EAN 4058075133365

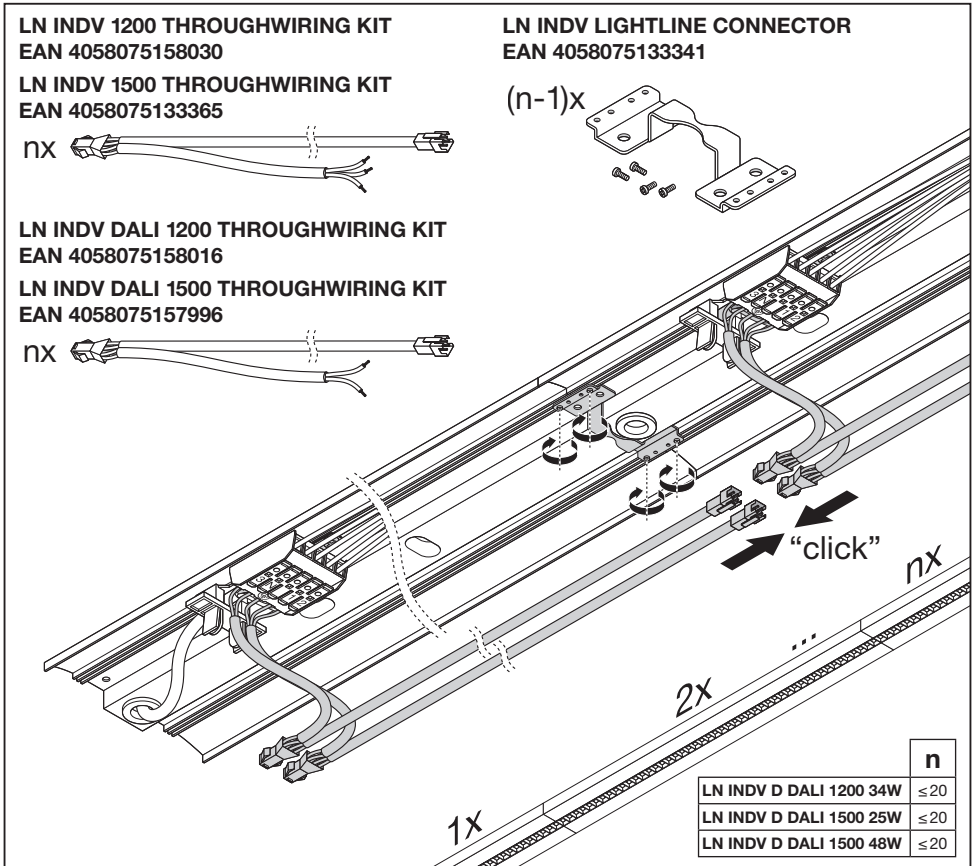
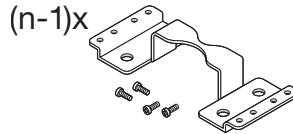


LN INDV DALI 1200 THROUGHWIRING KIT
EAN 4058075158016

LN INDV DALI 1500 THROUGHWIRING KIT
EAN 4058075157996



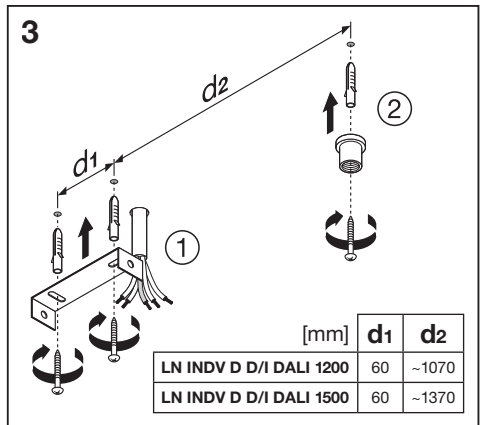
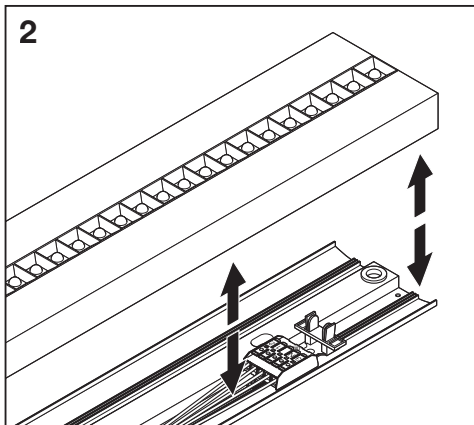
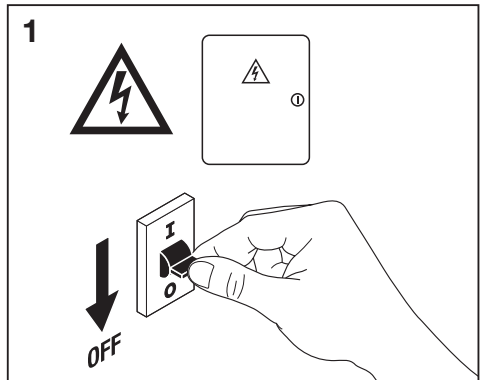
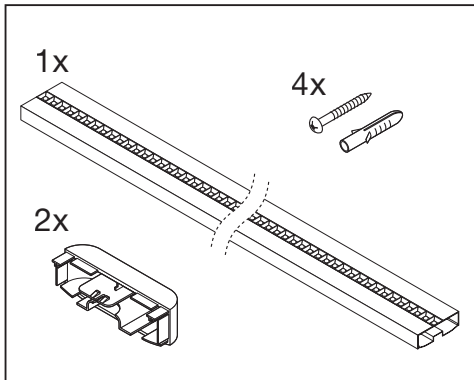
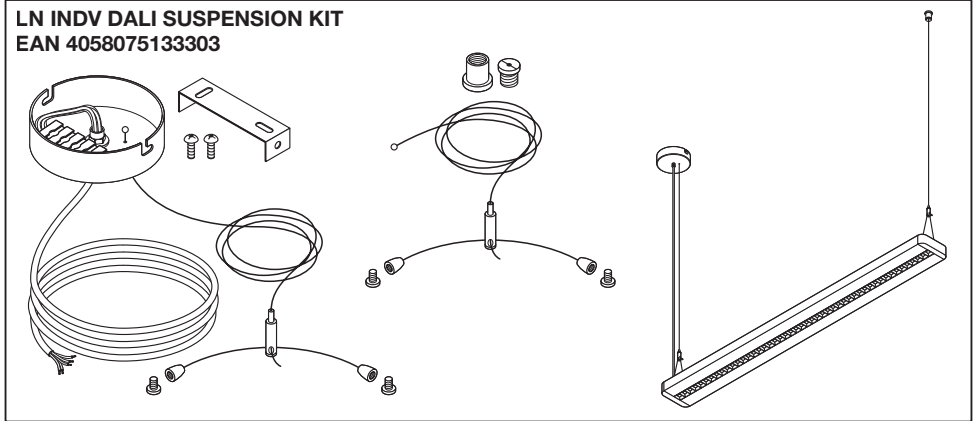
LN INDV LIGHTLINE CONNECTOR
EAN 4058075133341

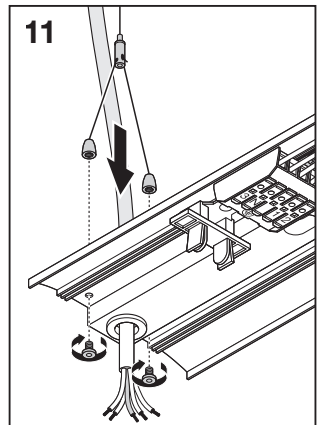
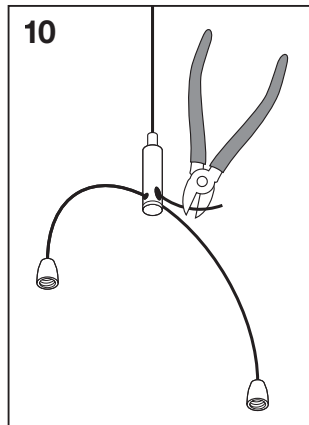
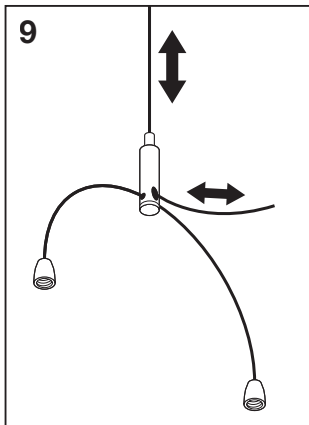
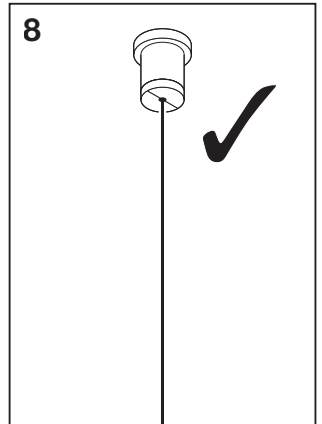
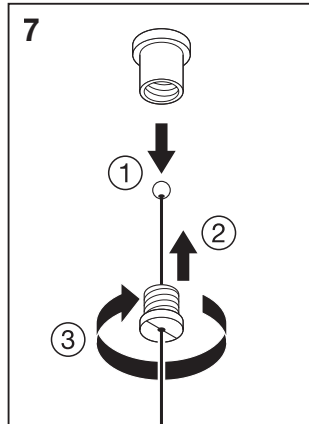
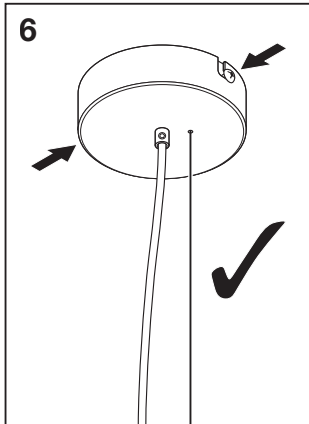
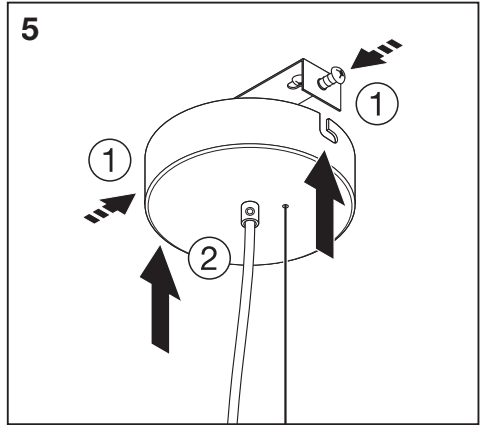
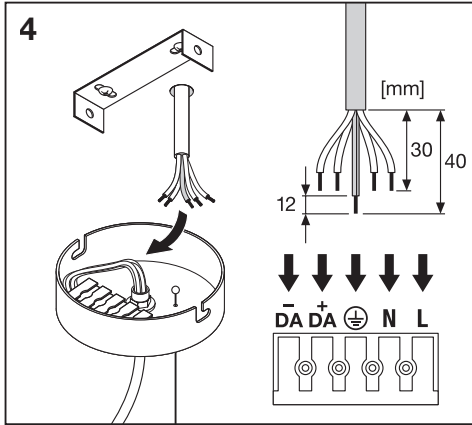


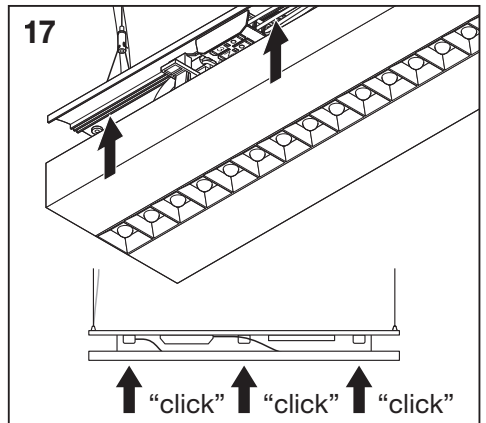
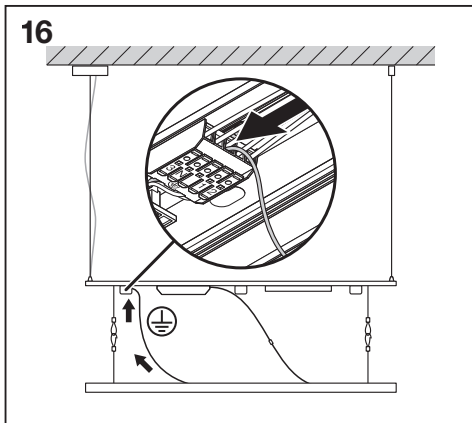
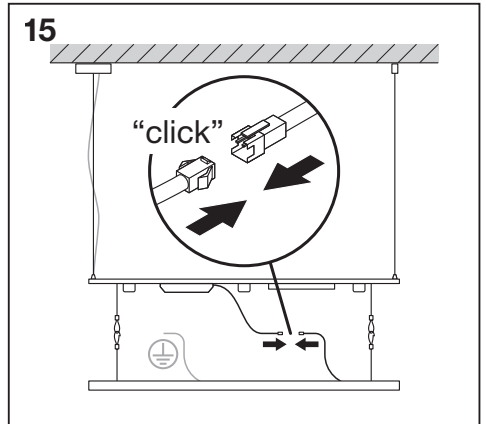
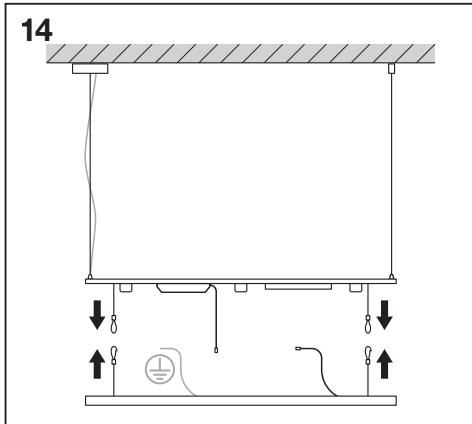
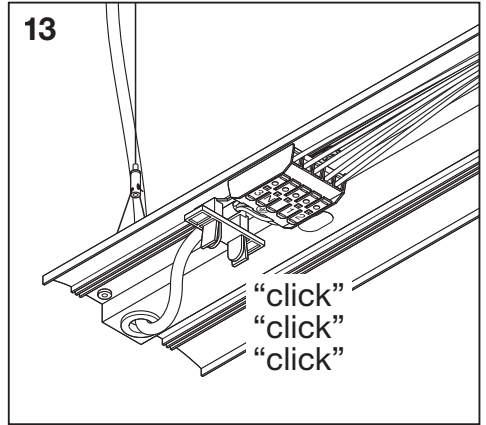
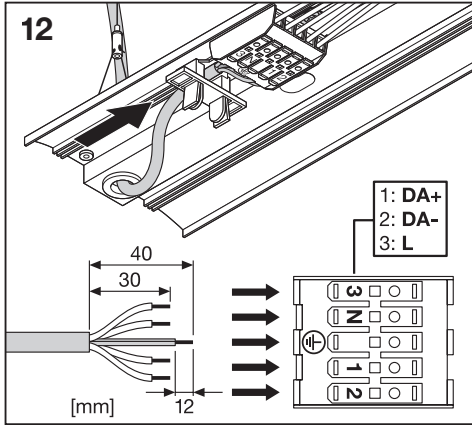
	n
LN INDV D DALI 1200 34W	≤20
LN INDV D DALI 1500 25W	≤20
LN INDV D DALI 1500 48W	≤20

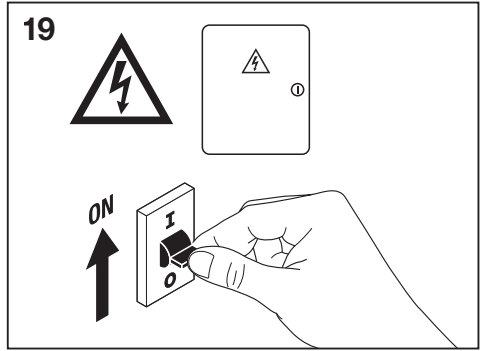
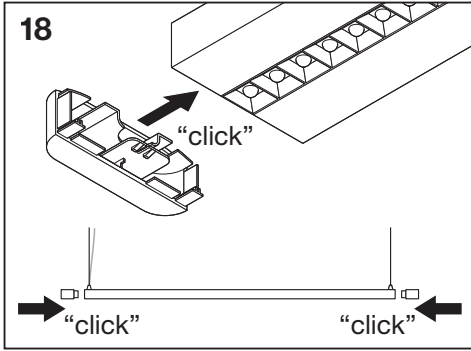
LINEAR IndiviLED® DIRECT | DIRECT / INDIRECT DALI

LN INDV DALI SUSPENSION KIT
EAN 4058075133303









LN INDV 1200 THROUGHWIRING KIT
EAN 4058075158030

LN INDV 1500 THROUGHWIRING KIT
EAN 4058075133365

$n \times$

LN INDV SUSPENSION WIRE
EAN 4058075133327

$n \times$

LN INDV LIGHTLINE CONNECTOR
EAN 4058075133341

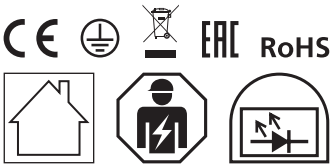
$(n-1) \times$

LN INDV DALI 1200 THROUGHWIRING KIT
EAN 4058075158016

LN INDV DALI 1500 THROUGHWIRING KIT
EAN 4058075157996

$n \times$

	[mm]	d	n
LN INDV D DALI 1200 34W	1159	≤ 20	
LN INDV D DALI 1500 25W	1448	≤ 20	
LN INDV D DALI 1500 48W	1448	≤ 20	
LN INDV D/I DALI 1200 42W	1159	≤ 20	
LN INDV D/I DALI 1500 56W	1448	≤ 20	



C10449058
G11041346
04.09.18

LEDVANCE GmbH
Steinerne Furt 62
86167 Augsburg, Germany
www.ledvance.com